

Extension-Arm Wall Mirror

MIRROR™
IMAGE

SPECIFICATIONS:

DESCRIPTION

MIRROR:

- 1 ROUND MIRROR WITH 5 X MAGNIFICATION.
- 1 ROUND MIRROR WITHOUT MAGNIFICATION.

FRAME, ARM & BRACKET:

- BRACKET FOR WALL MOUNTING W/ COVER PLATE.
- ROUND FRAME WITH 2 WAY 360° ROTATION.
- 4 3/4" to 18 3/4" HINGING EXTENSION ARM WITH 180° ROTATION.

MATERIALS

MIRROR:

- OPTICAL GLASS.

FRAME, ARM & BRACKET:

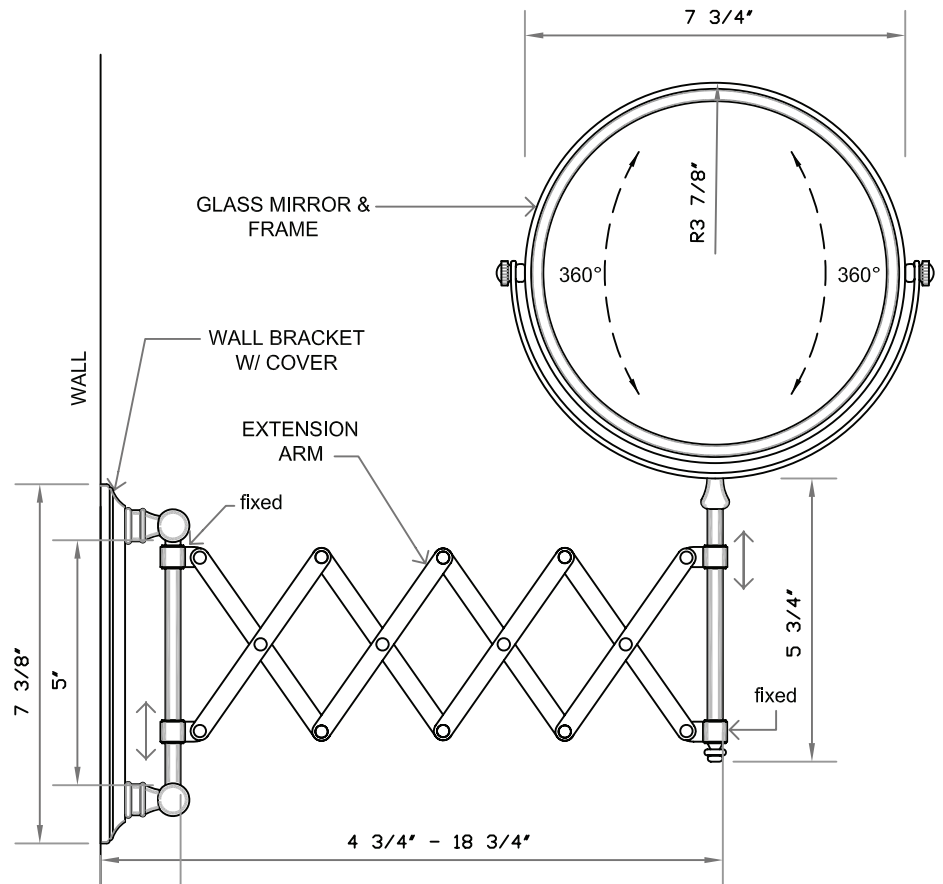
- BRASS OVER STEEL.
- FINISH: AS SELECTED PER MODEL NUMBER, LACQUER OVER NICKEL COATING.

WEIGHT:

3 lbs.

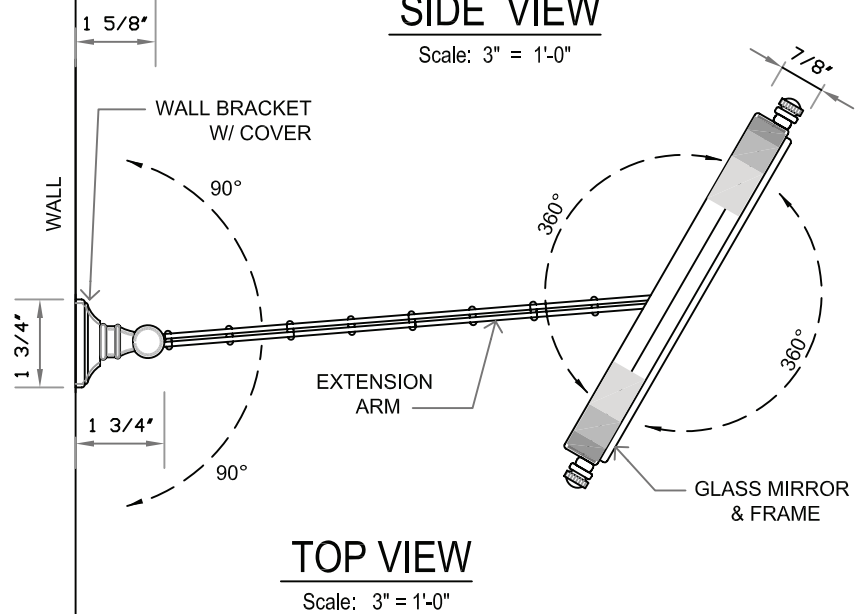
MODEL NUMBERS:

- 23345 - CHROME.
- 23365 - DIABLO BRONZE.



SIDE VIEW

Scale: 3" = 1'-0"



TOP VIEW

Scale: 3" = 1'-0"



CHANGING THE WAY YOU SEE YOURSELF

TM

© APTATIONS, INC
Copyright 2010



TM