

TECHNICAL SPECIFICATIONS

OPS-6036-RS - Massachusetts Compliant

MODEL NUMBER 141342

DIMENSIONS: 60" x 36" x 76 5/8" Gelcoat



STANDARD FEATURES

- 1-piece roll-in shower reinforced according to FHA accessibility requirements
- Configurable to be compliant with Massachusetts code when properly installed
- Center drain, textured bottom
- L-shaped seat, 24 in. slide bar, 60 in. hose, pressure balance mixing valve and hand shower
- 3/4" reduced skirt and 1/2" high threshold

UNIQUE FEATURES

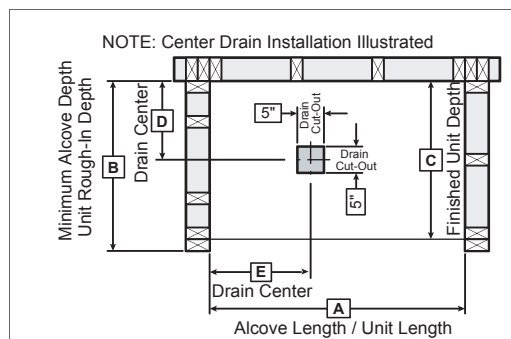
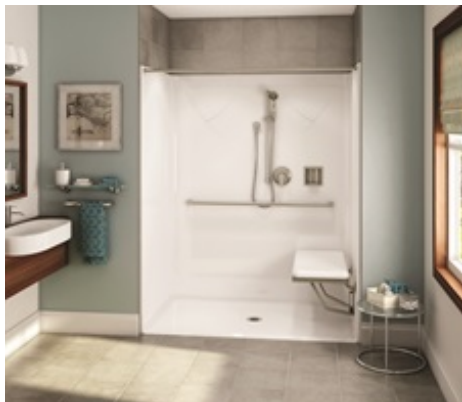
- None

OPTIONS

- 72 in. White vinyl shower curtain with Stainless Steel hooks
- Chrome recessed soap dish (drilled, not installed)
- Solid Brass drain with Chrome plated Stainless Steel grid
- 60" Curtain rod

SYSTEMS

- None



Model	A	B	C	D	E
141336	62 1/2	39 1/4	38 1/4	19 5/8	31 1/4

Project :

Contractor :

AKER Representative : Tel :

Date :

CERTIFICATIONS

AKER products adhere to one or more of the following certifications:



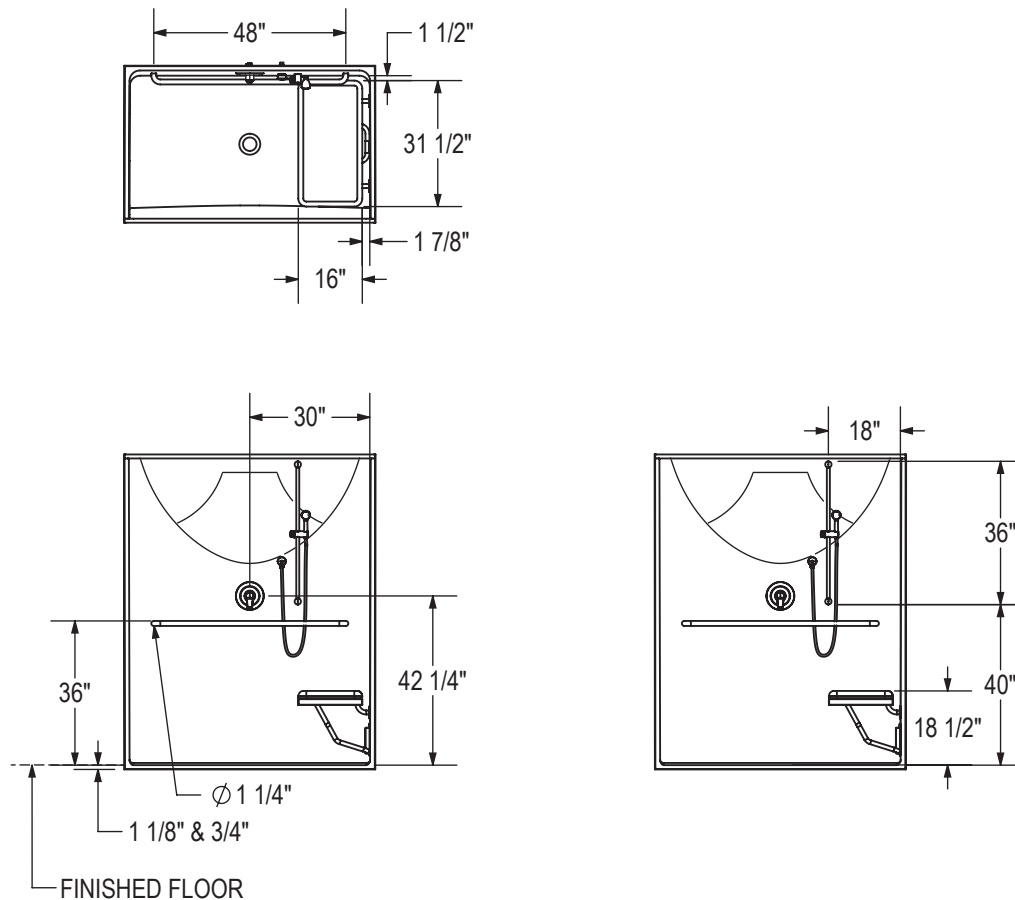
TECHNICAL SPECIFICATIONS

OPS-6036-RS - Massachusetts Compliant

MODEL NUMBER 141342

TECHNICAL DRAWINGS

BASE MODEL WITH COMPLETE MASS PACKAGE
LEFT SIDE SHOWN
RIGHT SIDE SYMMETRICAL



All dimensions are approximate. Structure measurements must be verified against the unit to ensure proper fit.