



# OPS-3636-RS TRANSFER SHOWER ADA COMPLIANT

## SUBMITTAL SHEET

ADA STANDARDS FOR ACCESSIBLE DESIGN  
FHA, CSA B45.5-11 / IAPMO Z124-2011, HUD UM 73a, ASTM F-462

**TO COMPLETE YOUR ORDER, THIS DOCUMENT MUST BE SIGNED AND FAXED TO AKER ORDER DESK  
FAX: (304) 263-8369 • PHONE: 1-800-962-2537**

DATE: \_\_\_\_\_

CUSTOMER: \_\_\_\_\_

SHIP TO: \_\_\_\_\_

P.O. #: \_\_\_\_\_

QUANTITY: \_\_\_\_\_

\_\_\_\_\_ / \_\_\_\_ / \_\_\_\_

PLUMBING CONTRACTOR APPROVAL \_\_\_\_\_ DATE \_\_\_\_\_

\_\_\_\_\_ / \_\_\_\_ / \_\_\_\_

ENGINEER APPROVAL \_\_\_\_\_ DATE \_\_\_\_\_

JOB NAME: \_\_\_\_\_

QUOTE#: \_\_\_\_\_

PHONE: \_\_\_\_\_

SPECIAL NOTES: \_\_\_\_\_

\_\_\_\_\_ / \_\_\_\_ / \_\_\_\_

GENERAL CONTRACTOR APPROVAL \_\_\_\_\_ DATE \_\_\_\_\_

\_\_\_\_\_ / \_\_\_\_ / \_\_\_\_

ARCHITECT APPROVAL \_\_\_\_\_ DATE \_\_\_\_\_

### IMPORTANT NOTES:

1. MAAAX assumes no responsibility for final code compliance. Information and specifications taken from this document must be confirmed with appropriate authorities.
2. Units are code compliant when fully equipped and installed according to guidelines.
3. Due to possible water leaks between the threshold of the shower and the curtain, MAAAX recommends the installation of a floor drain outside the unit.

<b>INTERIOR DIMENSIONS</b>	36" L x 36" W x 76 5/8" H
<b>EXTERIOR DIMENSIONS</b>	38 3/4" L x 39" W x 78 3/8" H
<b>SKIRT HEIGHT</b>	3/4"
<b>THRESHOLD HEIGHT</b>	1/2"
<b>WEIGHT</b>	162 LB
<b>MATERIAL</b>	GELCOAT
<b>WARRANTY</b>	5 YEARS

### STANDARD FEATURES

- 1-piece transfer shower
- Reinforced according to Fair Housing Act accessibility requirements
- Center drain
- Textured bottom
- Available in standard and non-standard colors

### COMPLIANT PACKAGE

Fully equipped - ADA compliant

### Base model with complete ADA package

- 1 x Horizontal L-shaped 34 3/8" x 18" textured stainless steel grab bar
- L-Shaped fold-up Phenolic white seat
- Chrome pressure balance mixing valve with hand-held shower
- Chrome 24" slide bar & 60" flexible hose

### Specify colors

White    Bone    Biscuit

Non-standard color: \_\_\_\_\_

### Options

- 36" Chrome curtain rod (factory-installed)
- Chrome recessed soap dish (drilled, not installed)

### Accessories (sold separately)

- Solid Brass drain with Chrome plated stainless steel grid
- 36" White vinyl shower curtain with stainless steel hooks

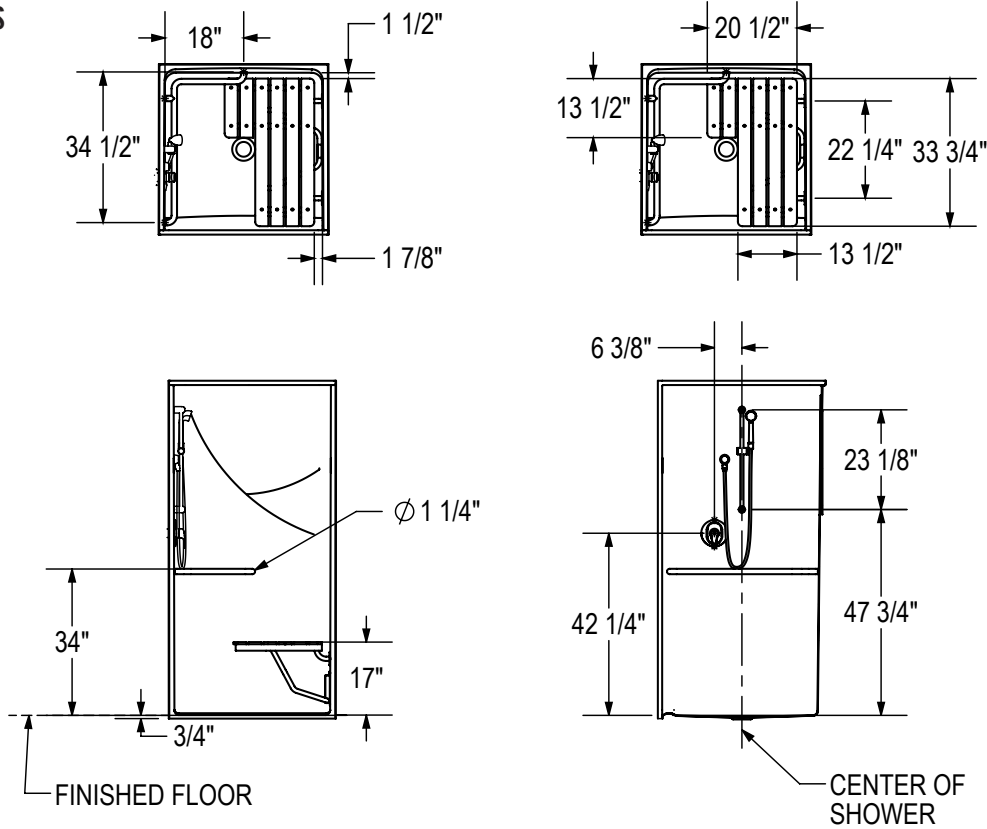
(141326-R/L)



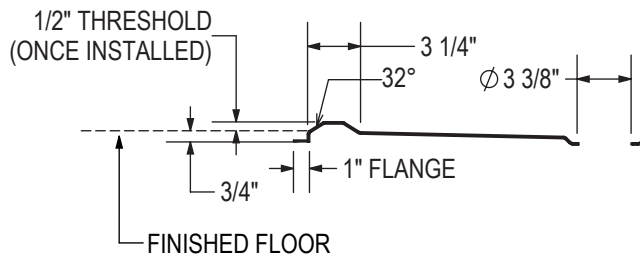
**TO COMPLETE YOUR ORDER, THIS DOCUMENT MUST BE SIGNED AND FAXED TO AKER ORDER DESK**  
FAX: (304) 263-8369 • PHONE: 1-800-962-2537

**TECHNICAL DRAWINGS**

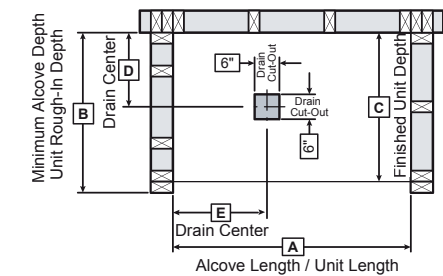
Left side shown  
Right side symmetrical



**DAM PROFILE**



**FRAMING DIMENSIONS**



Model	A	B	C	D	E
141321	38 3/4"	39"	38"	19 1/2"	19 3/4"

**MINIMUM CLEARANCE**

SHOWER 36" X 36"	
ADA	
F	48"
G	36"

Clearance zone from the control wall and adjacent to the open face.

