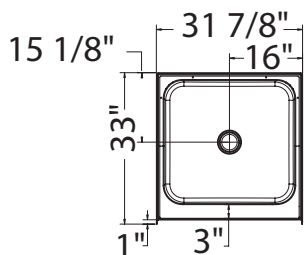
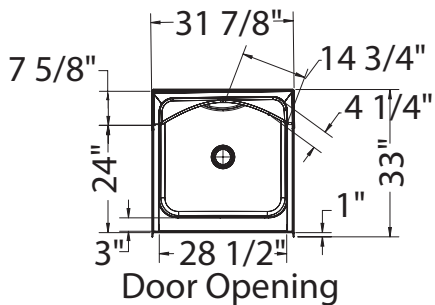
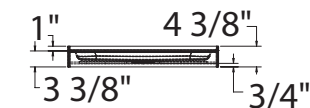
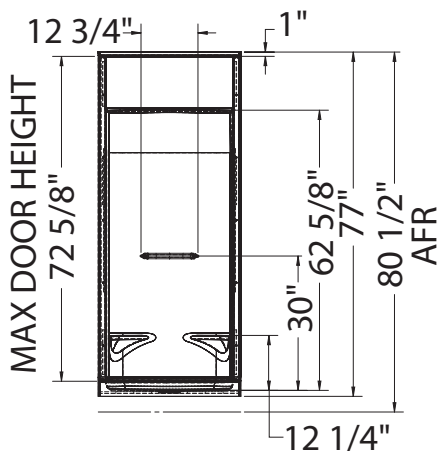


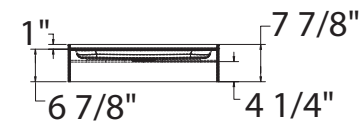
# STANDARD



# NOT ABOVE-THE-FLOOR

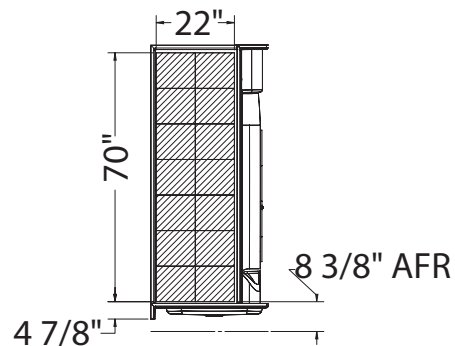


# ABOVE-THE-FLOOR

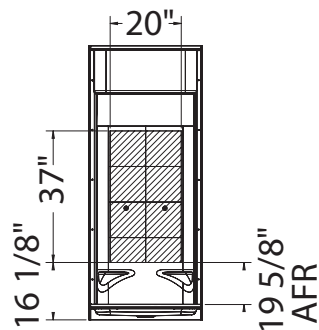


# REINFORCEMENT BACKING

OPTION 20212-L Shown  
OPTION 20212-R Symmetrical

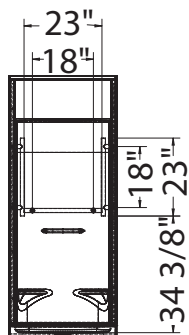


# OPTION 20212-B

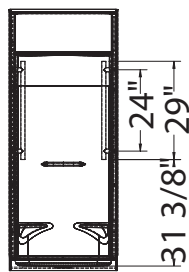


# GRAB BARS

## OPTION 20203



## OPTION 20204



## OPTION 20203-20204

