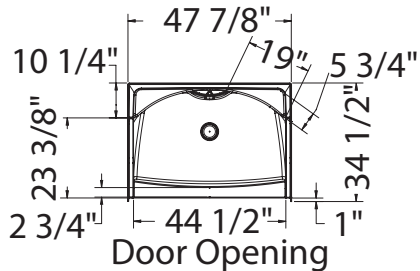
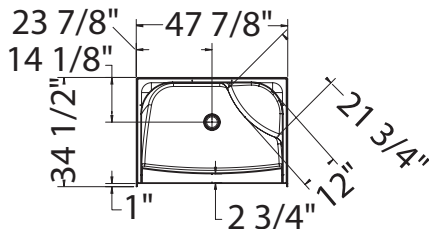


STANDARD

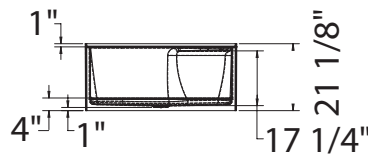
NO SEAT



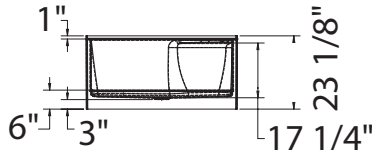
RIGHT SEAT SHOWN LEFT SEAT SYMMETRICAL



NOT ABOVE-THE-FLOOR

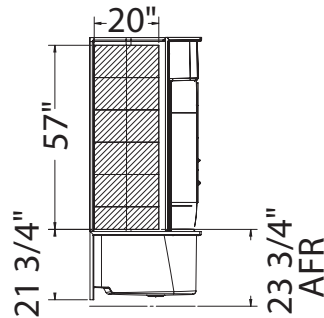


ABOVE-THE-FLOOR

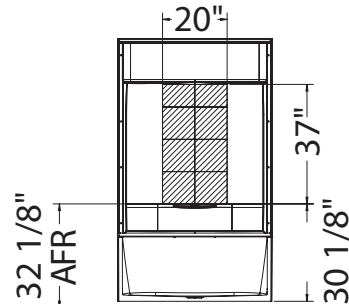


REINFORCEMENT BACKING

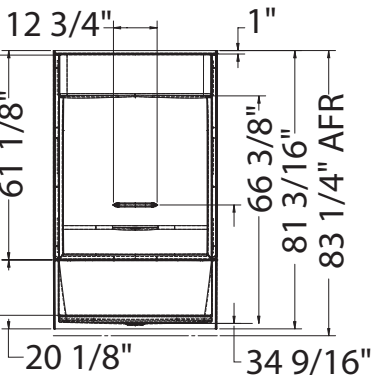
OPTION 20212-L Shown OPTION 20212-R Symetrical



OPTION 20212-B

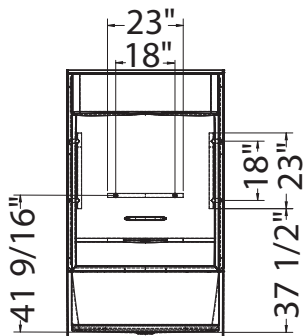


MAX DOOR HEIGHT

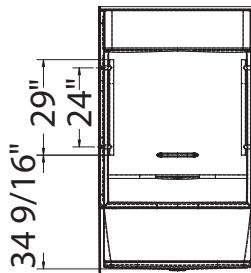


GRAB BARS

OPTION 20203



OPTION 20204



OPTION 20203-20204

