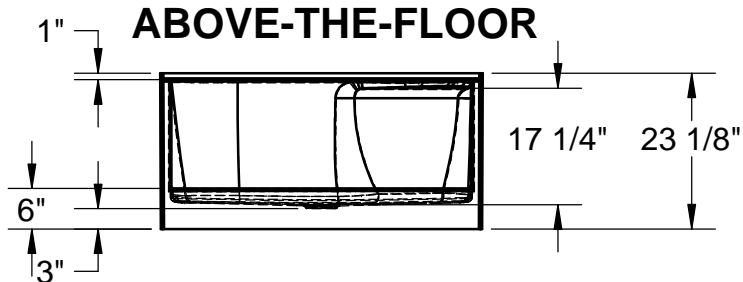
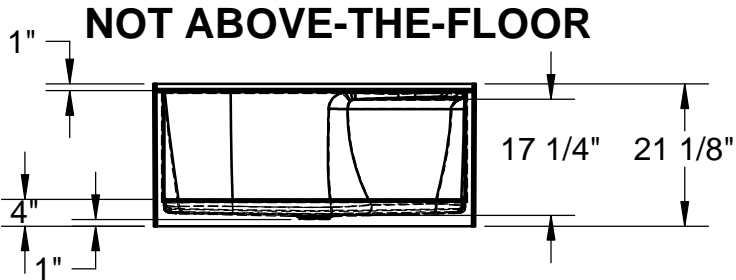
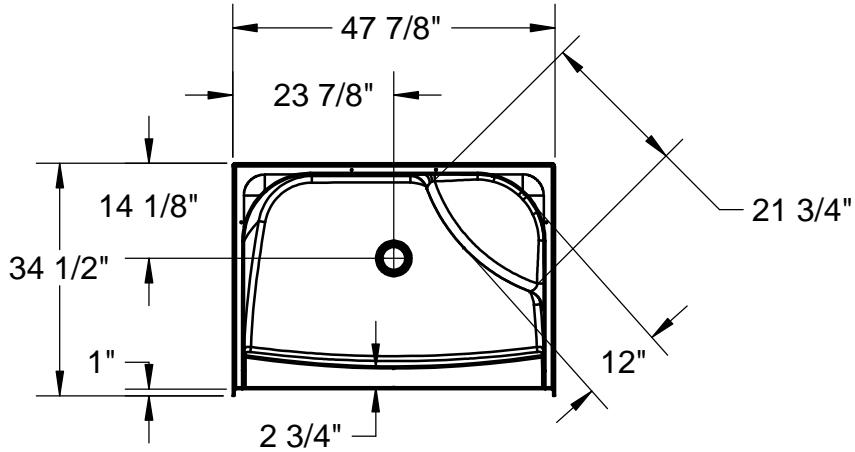


**RIGHT SEAT SHOWN  
LEFT SEAT SYMMETRICAL**



All dimensions are approximate. Structure measurements must be verified against the unit to ensure proper fit.