

## A<sup>~</sup>form

### Technical data sheet



#### Built-in basins

**EB.K450H**

Article number: 2004000000

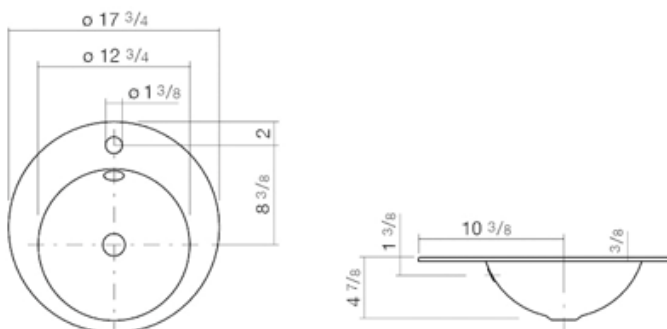
Design partner: sieger design



#### Features

Description	EB.K450H
Article number	2004000000
Standard colour	White
Special surfaces	White easy-clean (XXXX XXX 400) White antibacterial (XXXX XXX 401)
Construction	with faucet hole, with overflow
Special versions	without faucet hole, without overflow, 3 drill holes, drill hole for lotion dispenser, special- or matt colour
Dimensions	17 3/4" ø
Material	Glazed steel
Net weight	6.39 lbs
Installation	for installation from above
Accessoires	Bottle trap SI.2, Bottle trap SI.3, Angle valve cover EV.3, Drain valve VT.1, Lotion dispenser LS.1
Faucet information	Optimum point of impact approx. 5 1/2 – 6 1/4" from centre of faucet hole.

Faucets with a vertical outlet and an aerator provide the optimum flow of water onto the surface below (angle of impact: 90°).



#### Text for invitation to tender

Built-in basin, round, 17 3/4" ø, glazed inside and outside, with faucet hole and overflow, including installation kit and overflow set

Brand: Alape

Model: EB.K450H