

American Standard

INSTALLATION INSTRUCTIONS

4932.410
4932.415

EDGEWATER™ Pull-Down Bar Faucet

Thank you for selecting American Standard...
the benchmark of fine quality for over 100 years.

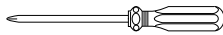
To ensure that your installation proceeds smoothly—please read
these instructions carefully before you begin.

Certified to comply with ANSI A112.18.1M

RECOMMENDED TOOLS



Flat Blade Screwdriver



Phillips Screwdriver



Adjustable Wrench

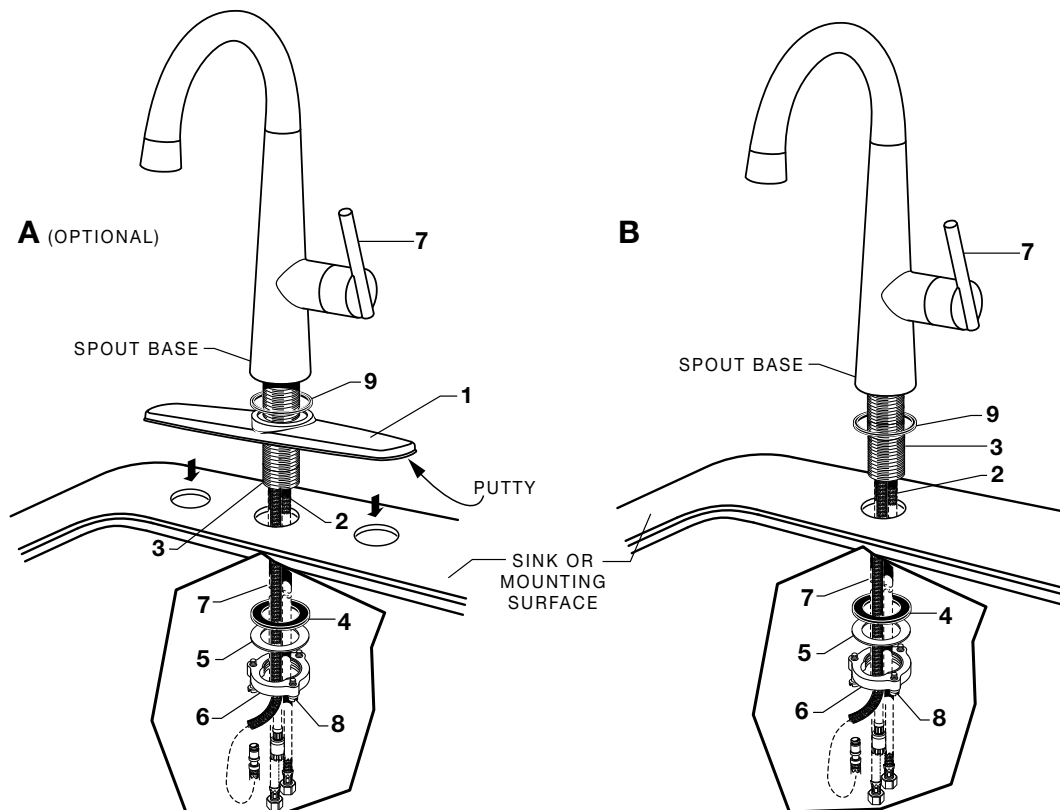


Plumbers' Putty or Caulking

1 INSTALL FAUCET WITH OR WITHOUT DECK ESCUTCHEON

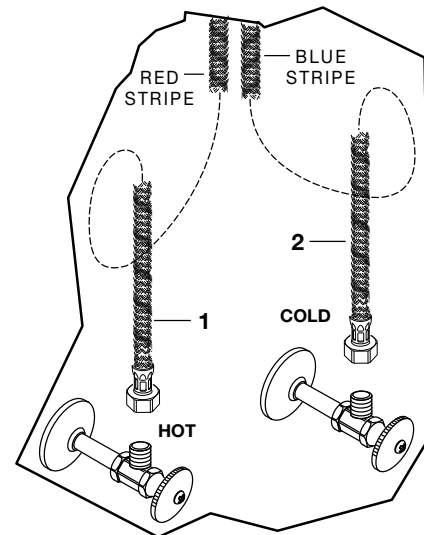
CAUTION Turn off water at
main supply

- **(A) Installation with ESCUTCHEON (1).** (Escutcheon is not supplied with base product). Apply a bead of putty to bottom edge of ESCUTCHEON with PUTTY PLATE (1). Make certain the SEAL (9) is properly seated in recess of faucet body. Insert SUPPLY HOSES (2), SPRAY HOSE (7) and SHANK (3) through hole of ESCUTCHEON with PUTTY PLATE (1) and mounting surface. Follow mounting instructions below to secure faucet to mounting surface.
- **(B) Installation less ESCUTCHEON (1).** Make certain the SEAL (9) is properly seated in recess of spout base. Insert supply HOSES (2), SPRAY HOSE (7) and SHANK (3) through mounting hole and seat spout base onto sink or mounting surface. **Do not use putty.**
- Insert HOSES (2) through RUBBER WASHER (4), BRASS WASHER (5), and threaded LOCKNUT (6).
- Assemble RUBBER WASHER (4), BRASS WASHER (5), and threaded LOCKNUT (6) onto SHANK (3) from underside of sink or mounting surface. Hand tighten LOCKNUT (6).
- Use a screwdriver to tighten SCREWS (8) on LOCKNUT (6). Work your way around LOCKNUT (6), tightening the screws slightly each time until all are snug to ensure even pressure.



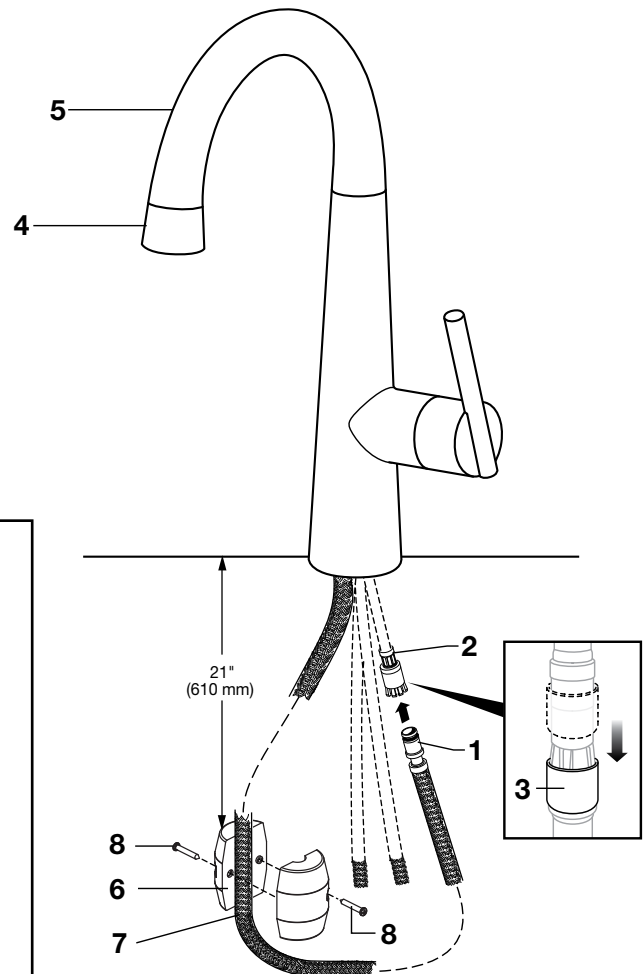
2 MAKE WATER SUPPLY CONNECTIONS

- Turn off hot and cold water supplies before beginning.
- Connect FLEXIBLE SUPPLY HOSES (1, 2) directly to wall supplies. Connection on fitting supplies are 3/8" compression. Connect left supply hose (Red Stripe) to Hot wall supply. Connect right supply hose (Blue Stripe) to Cold wall supply. Use adjustable wrench to tighten connections. Do not over tighten.
- * Faucet supplies are 21" long from faucet base.
- **Note: If additional supply length is required, installer must purchase additional parts separately.**
- **Important: If SUPPLY HOSES (1, 2) are too long, loop as illustrated to avoid kinking.**



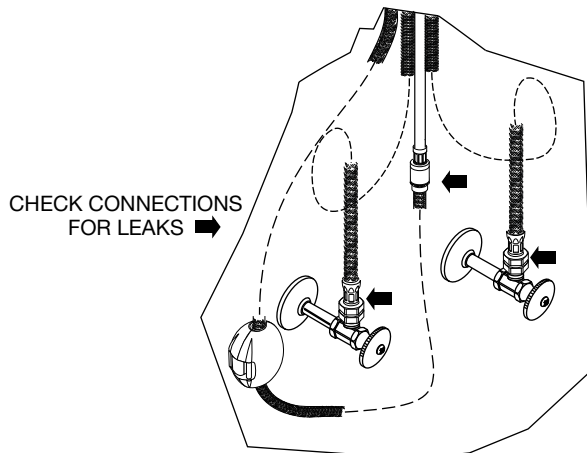
3 CONNECT SPRAY HOSE & INSTALL WEIGHTS

- Push the SPRAY HOSE END (2) into the HOSE CONNECTOR (1) slide down LOCKING COLLAR (3) until it snaps into place to secure connection.
- With HAND SPRAY (4) seated in SPOUT (5), install WEIGHT (6) at labeled area onto HOSE (7), secure with SCREWS (8).



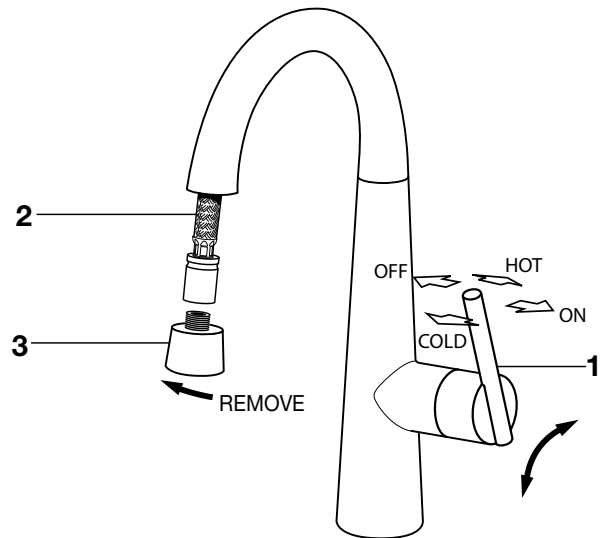
4 CHECK CONNECTIONS FOR LEAKS

- Move HANDLE into "off" position.
- Turn on water supplies and check connections for leaks. ➡
- Operate HANDLE (1) up and down, left and right to flushwater lines thoroughly.
- Operate HAND SPRAY and check connections for leaks. ➡



5 TEST INSTALLED FAUCET

- Move HANDLE (1) into “off” position.
- Turn on water supplies.
- Check connection for leaks. **(See Section 4)**
- With HANDLE (1) in “off” position, unthread SPRAY (3) from HOSE (2).
- Operate handle back to front, in COLD and HOT positions, to flush water lines thoroughly.
- Replace SPRAY (3) onto HOSE (2).



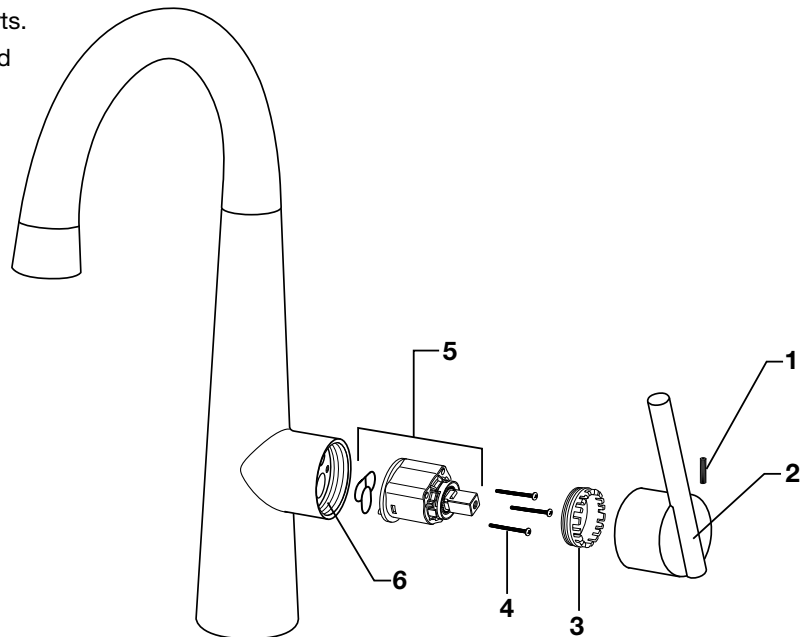
6 SERVICE

If faucet drips, operate HANDLE several times from “off” to “on.” Do not apply excessive force.

Clogged CARTRIDGE outlets or inlets may cause reduced flow.

To clean, first turn off water supply then:

- Loosen HANDLE SCREW (1) and remove HANDLE (2).
- Unthread the SNAP RING (3). Unthread three MOUNTING SCREWS (4).
- Lift CARTRIDGE (5) off MANIFOLD (6).
- Clean MANIFOLD (6) and CARTRIDGE (5) ports.
- Place CARTRIDGE (5) onto MANIFOLD (6) and tighten MOUNTING SCREWS (4) alternately.
- Replace SNAP RING (3), HANDLE (2), tighten HANDLE SCREW (1).



7 CARE INSTRUCTIONS:

DO: SIMPLY RINSE THE PRODUCT CLEAN WITH CLEAR WATER. DRY WITH A SOFT COTTON FLANNEL CLOTH.

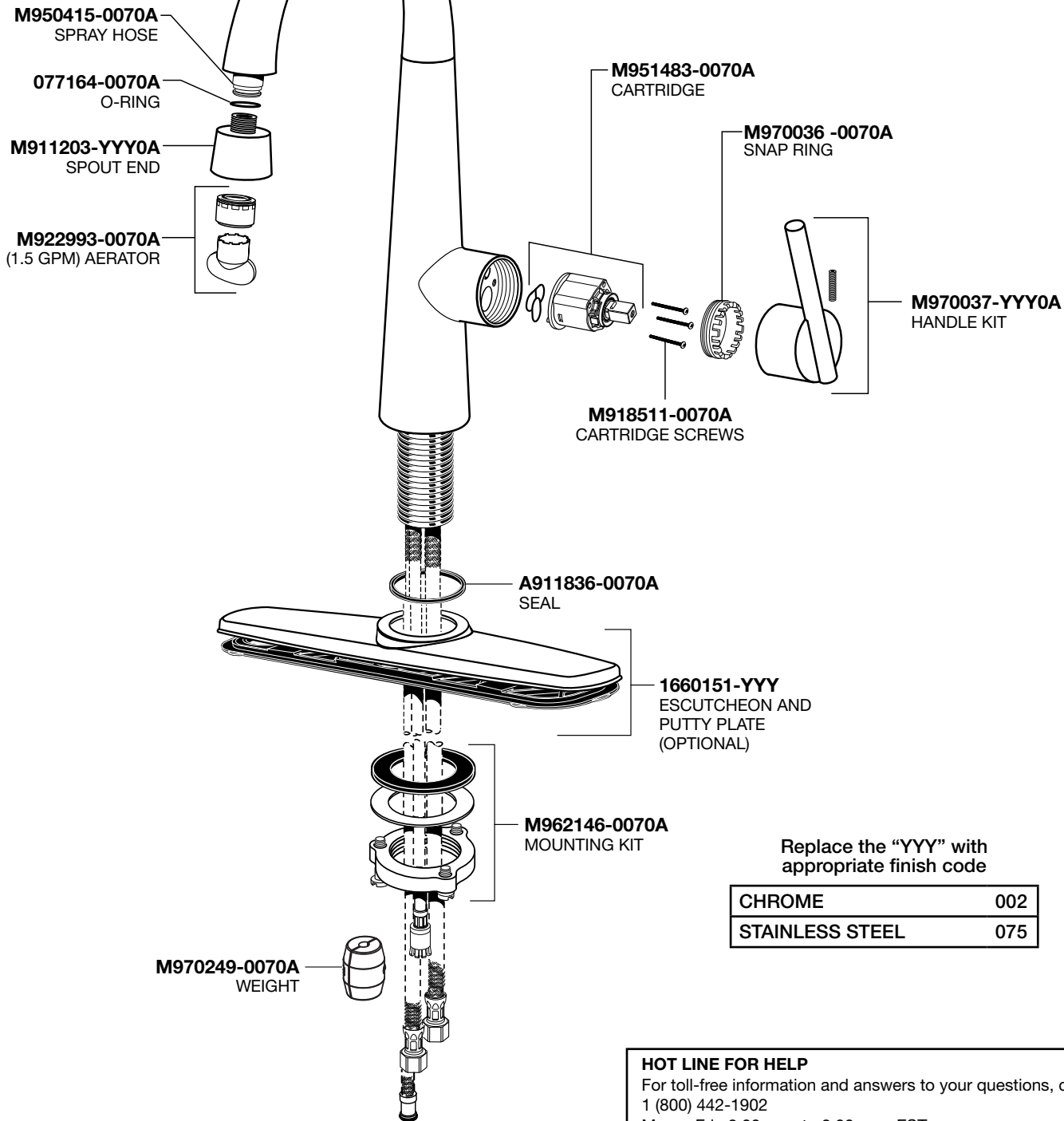
DO NOT: DO NOT CLEAN THE PRODUCT WITH SOAPS, ACID, POLISH, ABRASIVES, HARSH CLEANERS, OR A CLOTH WITH A COARSE SURFACE.

American Standard

EDGEWATER™
Pull-Down Bar Faucet

MODEL NUMBER

4932.410
4932.415



PART OF **LIXIL**

HOT LINE FOR HELP

For toll-free information and answers to your questions, call:
1 (800) 442-1902

Mon. - Fri. 8:00 a.m. to 8:00 p.m. EST
Saturday 10:00 a.m. to 4:00 p.m. EST

IN CANADA 1-800-387-0369
(TORONTO 1-905-306-1093)

Weekdays 8:00 a.m. to 7:00 p.m. EST

IN MEXICO 01-800-839-1200

