

**FEATURED MODEL**

442048 CHROME

**ADDITIONAL MODELS**

- 442047 STAINLESS
- 442049 ANTHRACITE & STAINLESS DUAL FINISH
- 442050 CAFE BROWN & STAINLESS DUAL FINISH
- 442051 CINDER & STAINLESS DUAL FINISH
- 442052 METALLIC GRAY & STAINLESS DUAL FINISH
- 442053 TRUFFLE & STAINLESS DUAL FINISH
- 442054 WHITE & STAINLESS DUAL FINISH

**FEATURES**

- Solid brass body
- Will fit all Blanco faucet holes
- Custom finishes match Blanco faucets
- Compliments the ARTONA faucet series
- 12 ounce capacity

**COMPLIMENTS THESE FAUCETS:**

- ARTONA Pull Down 2.2 gpm: 442030 CHROME
- ARTONA Pull Down 1.5 gpm: 442038 CHROME
- ARTONA Bar Faucet 2.2 gpm: 442046 CHROME

**WARRANTY**

BLANCO'S soap dispensers feature a LIMITED 1 YEAR WARRANTY to be free of all manufacturing defects under normal use. See our complete warranty for details.

While BLANCO endeavors to provide accurate information, all dimensions are nominal, cannot be guaranteed, and are subject to change or cancellation. BLANCO assumes no responsibility for use of superseded or voided specifications.

**JOB INFORMATION**

Job Name: \_\_\_\_\_

Contact: \_\_\_\_\_

Date Specified: \_\_\_\_\_

Specifier: \_\_\_\_\_

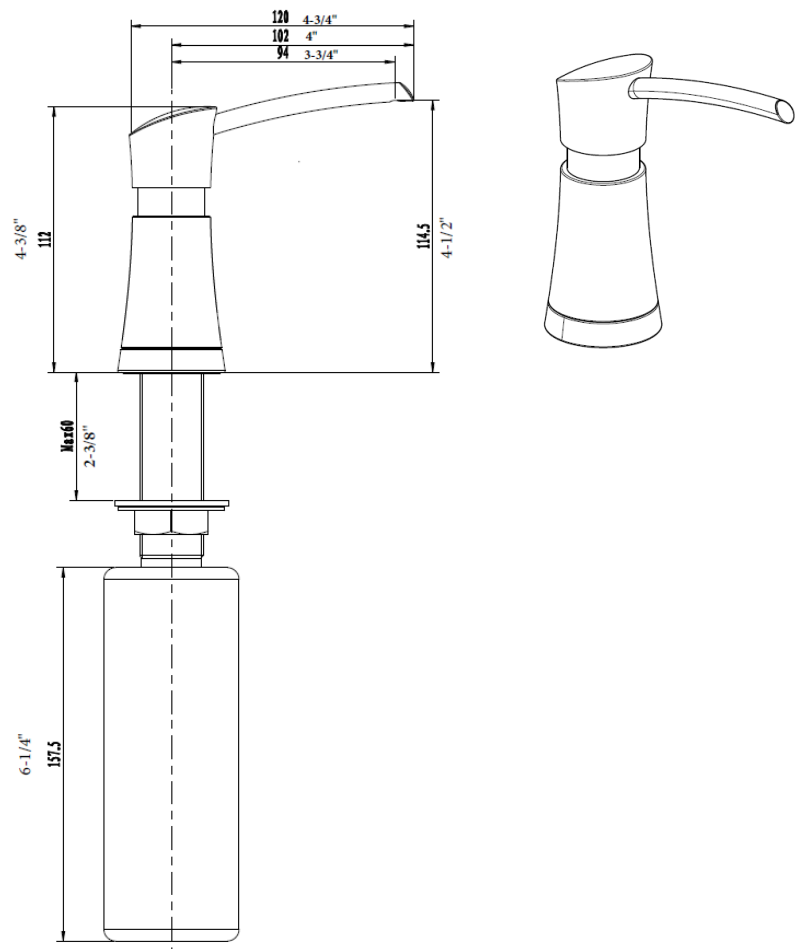
Contractor: \_\_\_\_\_



Model 442049 shown

**NOMINAL DIMENSIONS**

REACH	HEIGHT	TOTAL HEIGHT
4"	4-3/8"	4-3/4"



See next page for exploded parts drawing and parts list.

**BLANCO AMERICA**

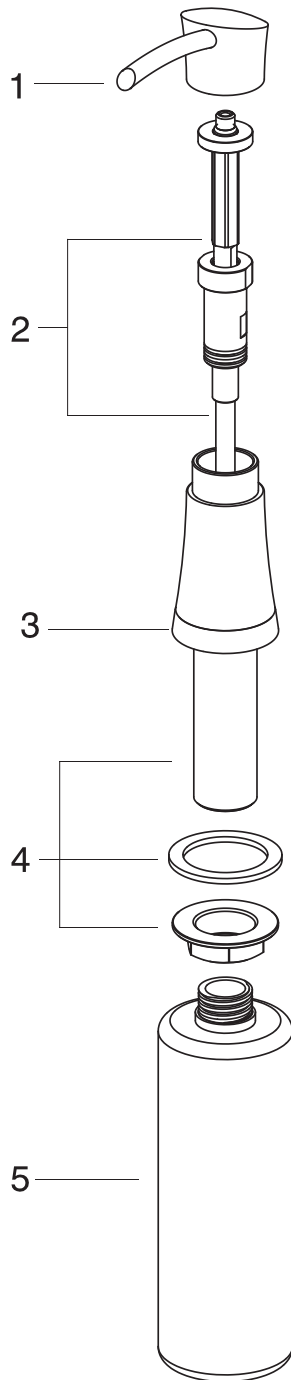
800.451.5782

www.blancoamerica.com

© 2016 BLANCO AMERICA

1/16

SPEC-001



REPAIR PART GUIDE		
Num.	Description	Part #
1	Dispenser - Chrome	442140
1	Dispenser - Stainless	442144
2	Pump Kit	442141
3	Base Kit - Chrome	442142
3	Base Kit - Stainless	442145
4	Installation Kit	442143
5	Bottle	441963