



- Model 661 – One Soap Valve
- Model 662 – Two Soap Valves

- Shelf-Type Dispenser
- Surface-Mounted
- ADA Compliant

Product Materials

HINGED SHELF: 20 gauge stainless steel with exposed surfaces in architectural satin finish.

RESERVOIR: 20 gauge stainless steel with exposed surfaces in architectural satin finish. Welded seams.

SOAP VALVE: chrome-plated brass housing with ABS plastic mechanism. Requires less than 5 lbs. of force to dispense soap.

Capacity

80-oz. liquid soap.

Operation

Pump-type valve draws liquid soap from bottom of reservoir. Dispenses measured amount of soap with each stroke. Sight gauge indicates refill time. Hinged shelf secured by concealed friction latch. Requires less than 5 lbs. of force to dispense soap.

- Bradley liquid soap valves operate best with any vegetable oil or coconut oil hand soap having a 10–15% soap concentration.

Installation

Verify all rough-in dimensions prior to installation. Secure dispenser with mounting screws (included). If mounted under a horizontal projection, allow 5" clearance for filling.

Guide Specification

Shelf-type soap dispenser shall be fabricated of 20 gauge stainless steel. Soap valve has chrome-plated brass housing with ABS plastic mechanism. Concealed friction latch for cover. Requires less than 5 lbs. of force to dispense soap. Capacity: 80-oz. liquid soap.

Overall dimensions: 17½"W x 3¼"H x 5¼"D.



MODEL 661



MODEL 662

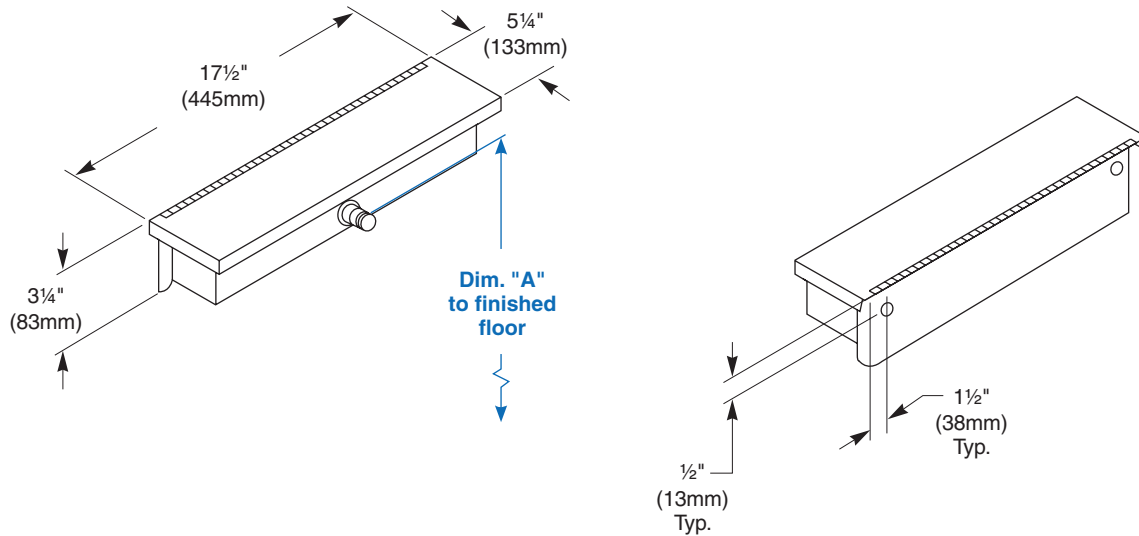
ADA Compliant

- Consult local and national accessibility codes for proper installation guidelines.
- Conformity and compliance to local and national codes is the responsibility of the installer.



Dimensions

(Model 661 shown)



Dim. "A" Key Surface:	For Dim. "A"	Top of Unit	Bottom of Unit
Push button top to finished floor	40" (1016mm)	42 1/4" (1073mm)	38 13/16" (986mm)
	38" (965mm)	40 1/4" (1022mm)	36 13/16" (935mm)
	36" (914mm)	38 1/4" (972mm)	34 13/16" (884mm)
	34" (864mm)	36 1/4" (921mm)	32 13/16" (833mm)
Rough wall opening:			
Surface Mount:	No rough wall opening, see overall dimensions		