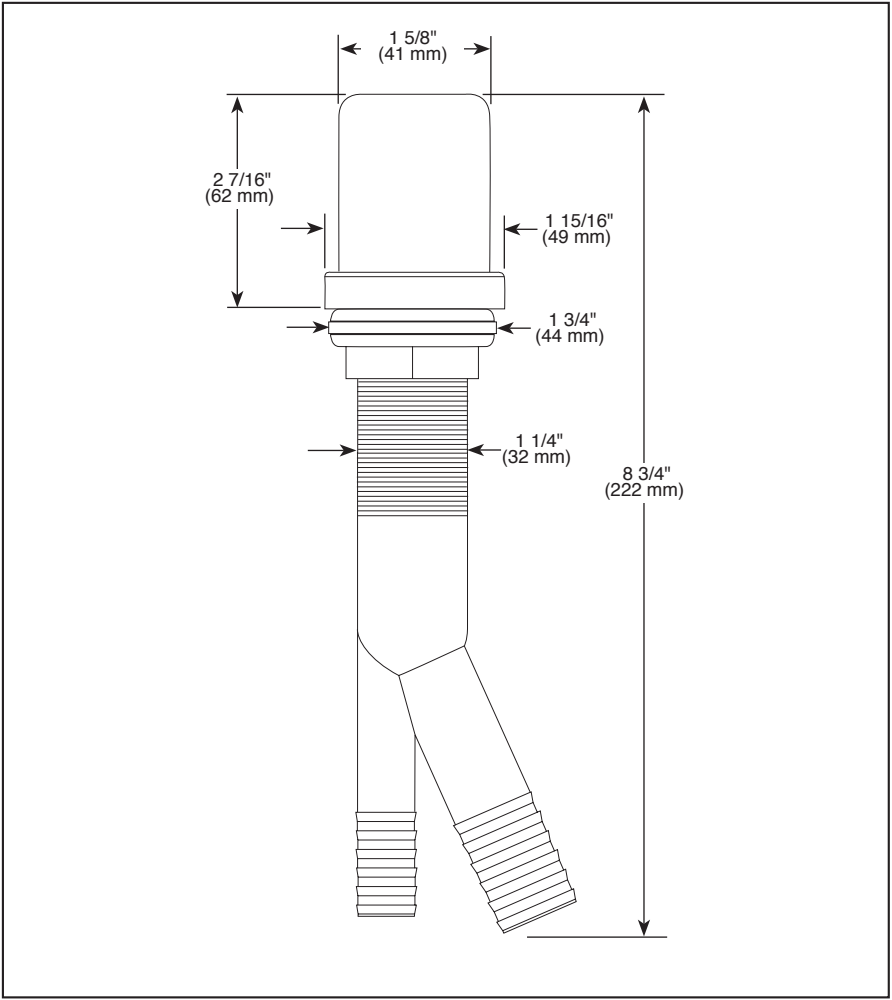


BRIZO®

AIR GAP

Submitted Model No.: _____
 Specific Features: _____



STANDARD SPECIFICATIONS:

- To prevent backflow or back siphonage of non potable water into potable water systems.
- Deck mount only.
- Deck thickness 0" (0 mm) min. to 1 1/2" (39 mm) max.
- 1 1/4" (32 mm) minimum to 1 5/8" (41 mm) maximum mounting hole required.
- 5/8" O.D. inlet x 7/8" O.D. outlet.
- Molded polypropylene.
- Nitrile rubber washer.

WARRANTY

- Lifetime limited warranty on parts (other than electronic parts and batteries) and finishes: or, for commercial users, for 5 years from date of purchase.
- 5 year limited warranty on electronic parts (other than batteries); or, for commercial users, for 1 year from the date of purchase. No warranty is provided on batteries.

▲ Designate Proper Finish Suffix

Brizo Kitchen & Bath Company reserves the right (1) to make changes in specifications and materials, and (2) to change or discontinue models, both without notice or obligation. Dimensions are for reference only. See current full-line price book or www.brizo.com for finish options and product availability.