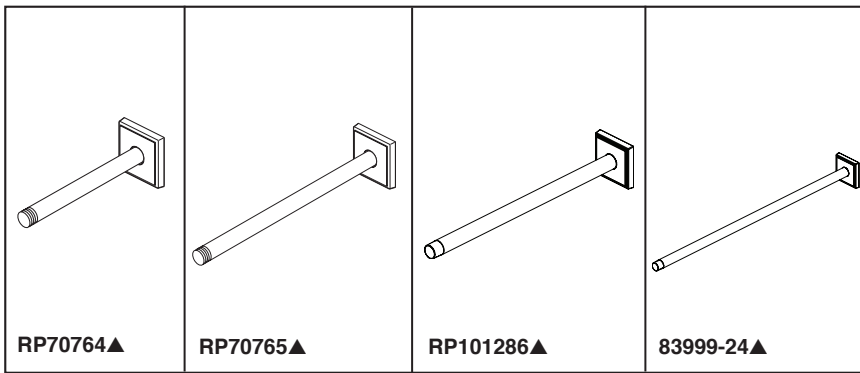


BRIZO®

CEILING MOUNT SHOWER ARMS AND FLANGE



Submitted Model No.: _____

Specific Features: _____

STANDARD SPECIFICATIONS:

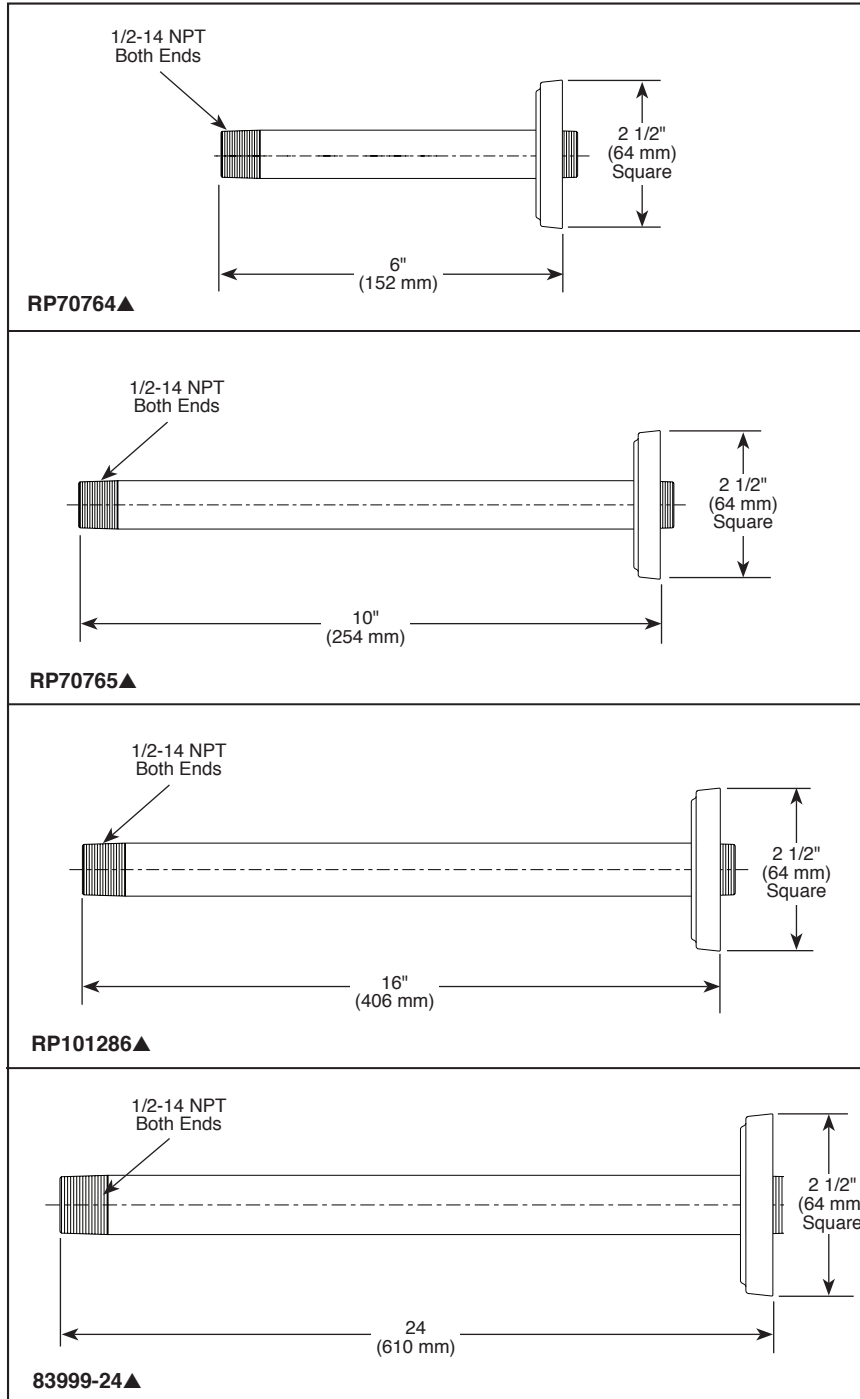
- 1/2" NPT threads
- Solid brass construction
- Adjustable flange is held in place on shower arm by rubber friction ring

WARRANTY

- Lifetime Faucet and Finish Limited Warranty to the original consumer purchaser to be free from defects in material and workmanship.
- 5 Year Limited Warranty for usage in all industrial, commercial and business applications.

COMPLIES WITH:

- ASME A112.18.1 / CSA B125.1



▲ Designate proper finish suffix

Delta reserves the right (1) to make changes in specifications and materials, and (2) to change or discontinue models, both without notice or obligation. Dimensions are for reference only.

BSP-B-RP70764 Rev. C

Brizo Kitchen & Bath Company

55 E. 111th Street, Indianapolis, Indiana 46280
350 South Edgeware Road, St. Thomas, ON N5P 4L1
© 2020 Brizo Kitchen & Bath Company