

⚠ WARNING

**DISCONNECT POWER BEFORE RE-LAMPING OR WIRING THE FIXTURE
READ ALL INSTRUCTIONS COMPLETELY BEFORE STARTING INSTALLATION.**

⚠ CAUTION

- TO AVOID THE RISK OF FIRE OR SHOCK, FIXTURE MUST BE INSTALLED IN COMPLIANCE WITH ALL APPLICABLE NATIONAL AND LOCAL ELECTRICAL/BUILDING CODES.
- INSTALLATION AND MAINTENANCE OF THIS UNIT REQUIRES AN ELECTRICIAN OR CERTIFIED FACTORY TRAINED TECHNICIAN.
- If an existing fixture is being replaced, remove it and note to which of the wires in the outlet box the fixture was attached. DO NOT SEPARATE ANY OTHER WIRES THAT MAY BE IN THE BOX. DO NOT DAMAGE THE INSULATION OF OLDER WIRING. In regular circumstances the BROWN wire will be the "Hot" lead and the BLUE wire will be the "Neutral" or "Common" lead. The YELLOW/GREEN STRIPED wire is the "Ground". In older buildings it is always a good practice to reconfirm the polarity of the wiring .

NOTICE

- The important safeguards and instructions outlined on this sheet cannot cover all possible conditions and situations that may occur. it must be understood that common sense, caution and care factors that cannot be built into any product. Caution and care must be supplied by the person(s) installing, operating and caring of this lighting fixture.
- This fixture is designed to be mounted on a correctly installed standard round or octagon box or a through wiring box with a plaster frame. The box must be securely mounted to the structure of the building. The crossbar and hardware supplied should be used. directly mounting the fixture to the outlet box may make it impossible to correctly align the fixture.

FIXTURE PREPARATION

1. Remove the fixture, shell/crystal strands, parts and parts bag(s) from the carton.

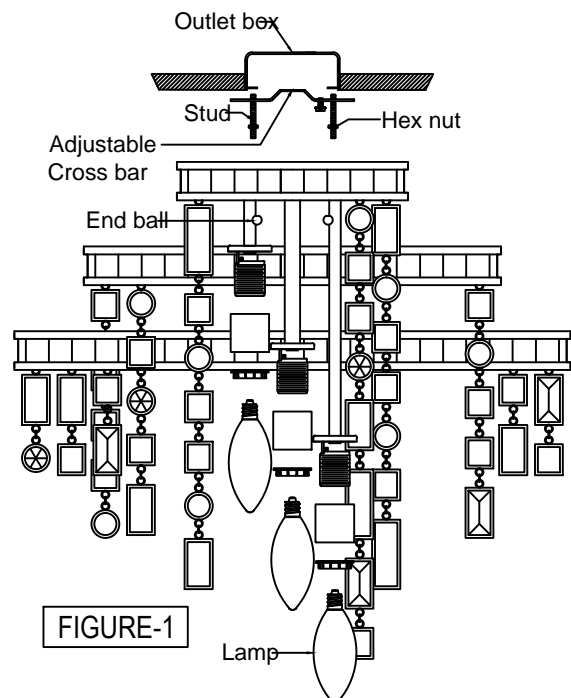
NOTICE:
Before discarding the carton,
double check to make certain that all parts are found .

FIXTURE INSTALLATION

1. Thread the 2 long studs into the mounting plate at the spacing that matches the mounting holes in the canopy.
2. Attach the mounting plate to the outlet box.
Adjust the studs so that they extend $\frac{3}{16}$ " beyond the canopy.
3. Fasten the ground wire to the yellow/green striped wire in the outlet box.

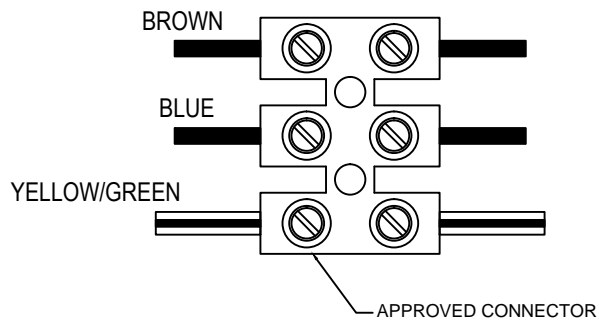
⚠ WARNING

**Never fasten the ground wire to the brown or "hot" wire!
Failure to follow this instruction could result in
serious injury or death!**



4. Fasten the blue fixture lead to the blue wire in the outlet box.
Fasten the wires together with an approved wire connector.

⚠ WARNING
Make sure that there is no exposed wire or strands that could cause serious injury or death!



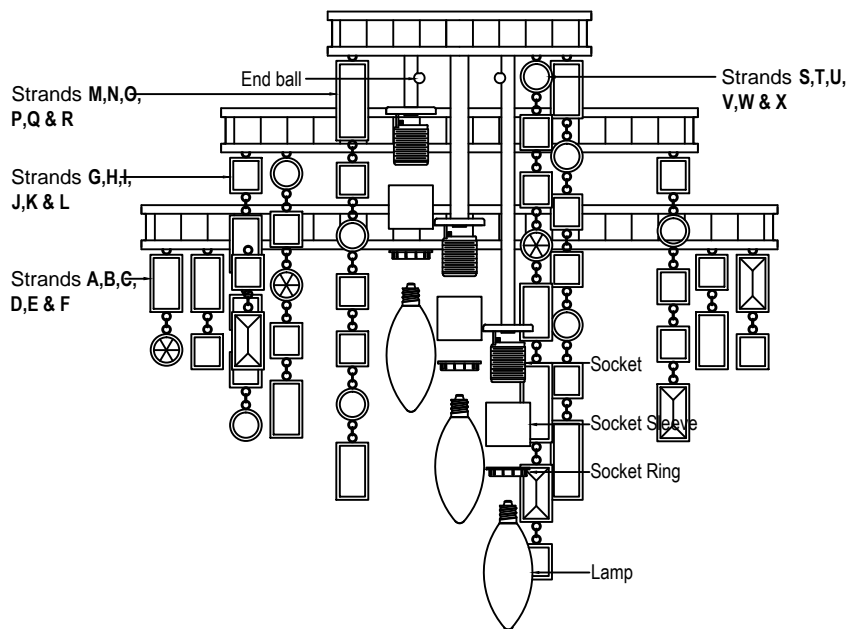
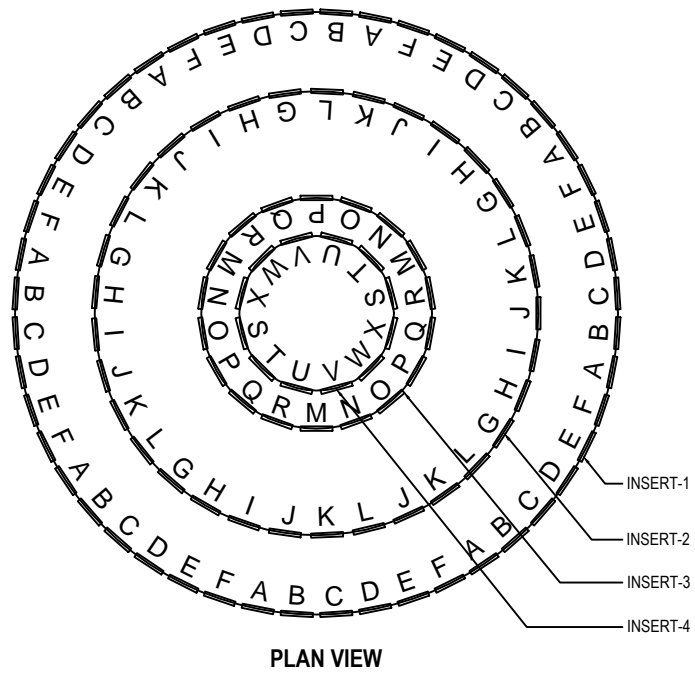
5. Connect the brown fixture lead to the brown wire in the outlet box.
Fasten the wires together with an approved wire connector.
6. Using the 2 end balls, fasten the fixture to the outlet box.
7. Install the lamps (lighting bulbs). NOTE: This fixture is rated for 60 watts candelabra base type C lamp.

⚠ WARNING
DO NOT EXCEED RECOMMENDED WATTAGE!

8. Hang the shell/crystal strands following the crystal schedule (see figure 2&3).

NOTICE:
If the fixture is being installed in a room with hard floor (tile, wood, etc.) place a blanket or carpet below the fixture before installing the crystal trimming.

9. Restore power to circuit at breaker or fuse box



SHELL & CRYSTAL STRANDS

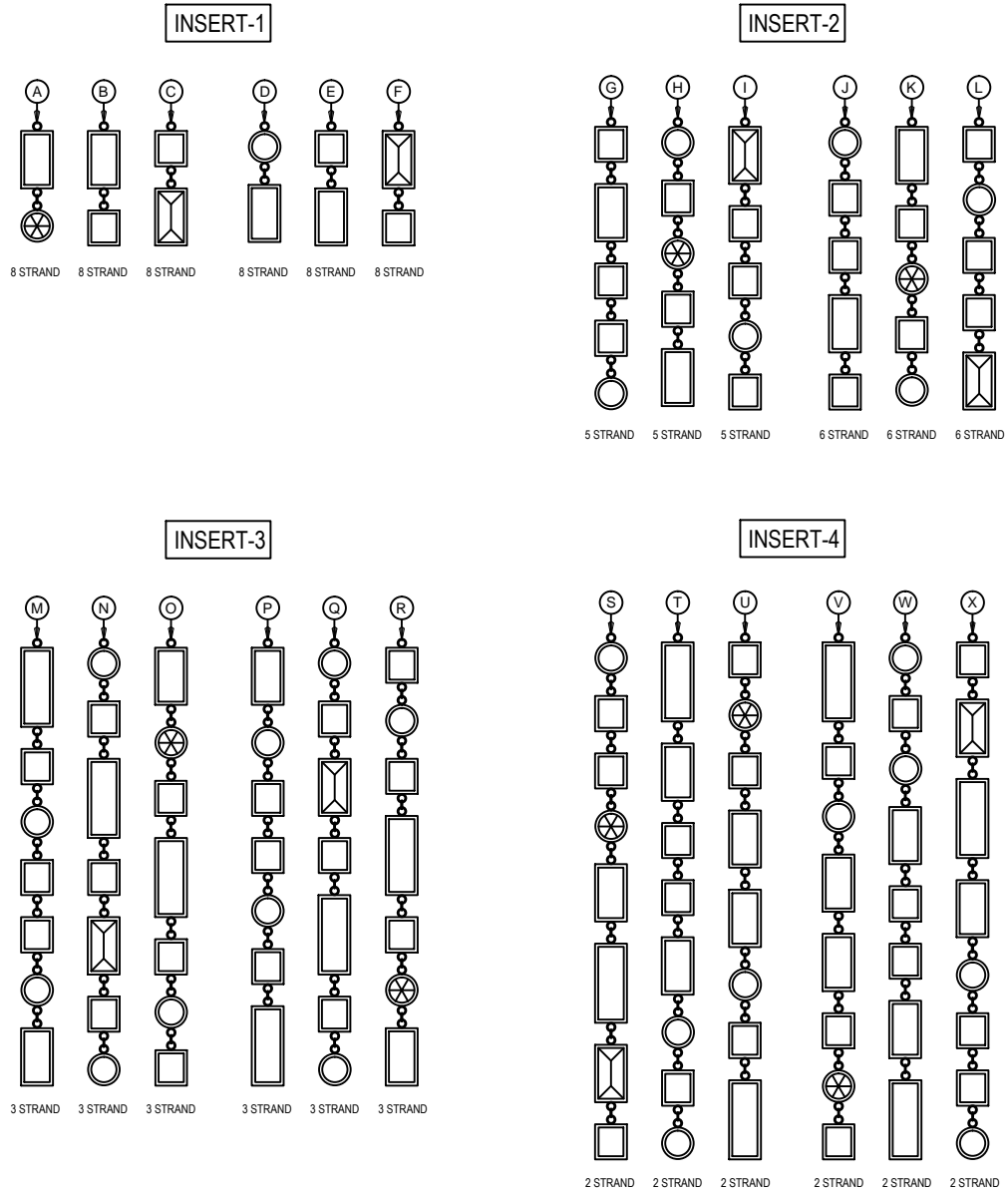


FIGURE-3