

Central Brass Company, Inc.
3325 S. Garfield Ave.
Commerce, CA 90040
(800) 321-8630
www.centralbrass.com

Tools:



Model Number: 2093, 2094, 2096 Series



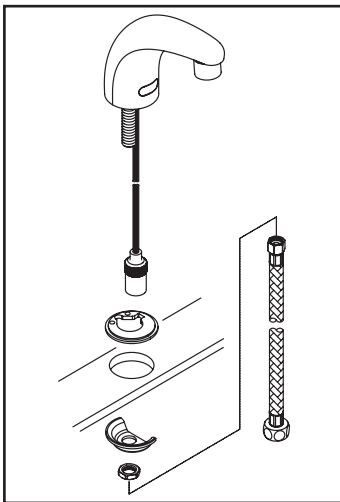
Warnings and Notes:

Check with local plumbing code requirements before installation.
This product should be installed by a local listed plumber.

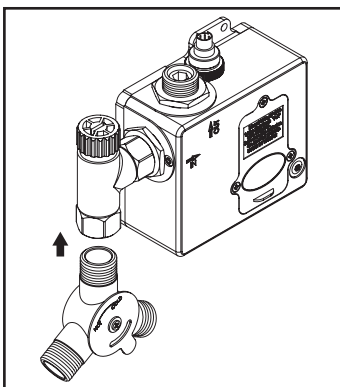
Do not use plumbers putty on threads.

Installation Steps:

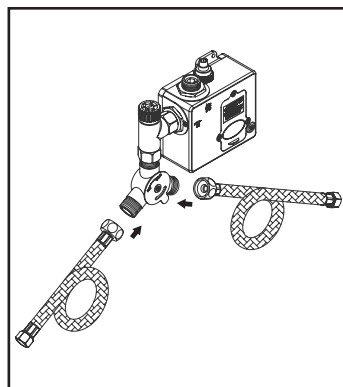
Single Hole Deck Mount Electronic Sensor Faucet



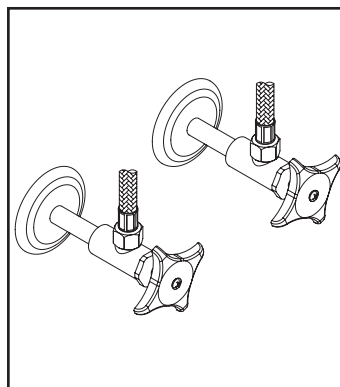
(1) Please have the sensor cable fits through the faucet flange before faucet shank fits through. Insert the sensor cable and faucet shank through sink hole. Insert faucet shank through mounting flange and use mounting nut to secure the faucet in place. Sensor cable does not need to go through those parts. Once the faucet is secured, connect the faucet hose to faucet shank.



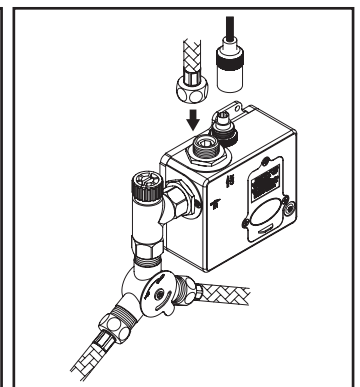
(2) Secure mixing valve onto the control module as shown in picture. (Note: Not for -LM variations.)



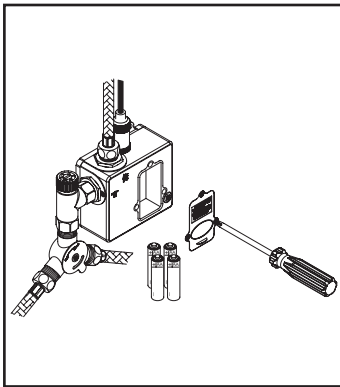
(3) Secure inlet hoses to mixing valve as shown in picture. (Note: Not for -LM variations.)



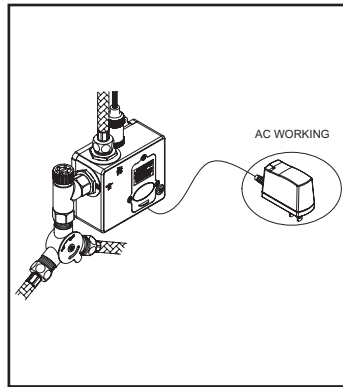
(4) Connect inlet hoses to angle stops.



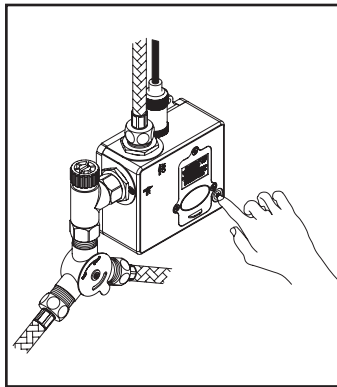
(5) Connect hose and sensor plug from faucet to control module. (Note: Do not connect sensor cables when hands are wet.)



(6) Use screw driver to take out battery cover plate and put 4x AA batteries into compartment. Secure the battery cover back to module. (Note: Perform this step only if hands are dry.)



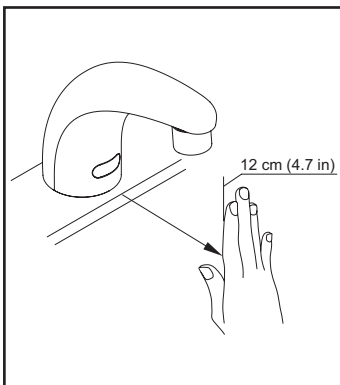
(7) Plug AC adapter to the bottom of the control module. (Note: For -AC variations.) (Note: Perform this step only if hands are dry.)



(8) Please remove aerator from spout and press ON/OFF button.



(9) Factory preset sensing distance is 12 cm (~4.7 in), please place an object or hand at about this distance and let water flush any debris from supply line for at least one minute. Put aerator back to spout and press ON/OFF button again.



(10) To set sensing distance: Press and hold ON/OFF button for 5 ~ 7 seconds. When the LED sensor light remains lit, the system has entered setup mode. Place an object, or your hand, at desired distance. Note that the LED sensor light should be flashing when object is detected. To set the new distance, press the ON/OFF button again, your settings have been saved.

Central Brass
C O M P A N Y, Inc.

For more care information or trouble shooting inquiries about your Central Brass product, please call:
Central Brass Company, Inc. (800) 321-8630
Monday-Friday 8 AM to 8 PM EST (5 AM to 5 PM PST)
www.centralbrass.com