

## Model# 0005-H1/2P

### Single Handle Wallmount Faucet

#### FEATURES & SPECIFICATIONS

- 4-Arm Handle With Optional Red/Blue Indexes
- Hose Thread
- 1/2-14 NPS Female Thread
- Replaceable Seat
- 1-Hole Wallmount
- Adjustable Flange

#### FINISHES

- PC Polished Chrome

#### STANDARDS

- ASME A112.18.1
- CUPC / IAPMO LISTED



#### WARRANTY

- Lifetime Limited Warranty
- Lifetime Residential Warranty
- 5 Year Commercial Warranty

0005-H1/2P/REV. 11 2016

Product Specifications subject to change without notice

Job Name \_\_\_\_\_ Date \_\_\_\_\_

Model Specified \_\_\_\_\_ QTY \_\_\_\_\_

Customer/Wholesaler \_\_\_\_\_

Contractor \_\_\_\_\_

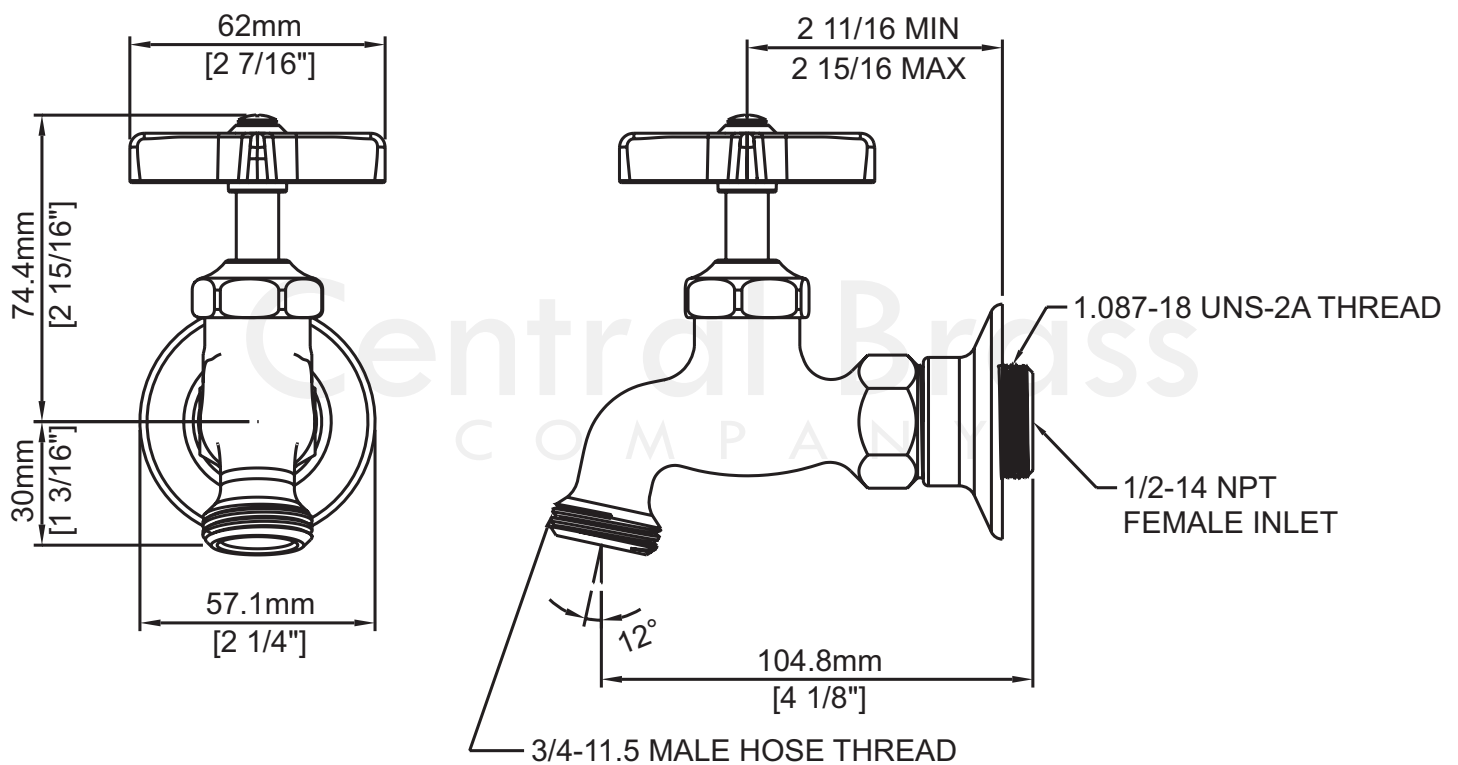
Architect/Engineer \_\_\_\_\_

Submitted as Shown \_\_\_\_\_

Submitted w/ Variations \_\_\_\_\_

## Model# 0005-H1/2P

### Single Handle Wallmount Faucet



0005-H1/2P/REV. 11 2016

Product Specifications subject to change without notice