

Model# 0094-LE0

Two Handle Shell Type Bar/Laundry Faucet

FEATURES & SPECIFICATIONS

- 2-3/8" Lever Handle
- 6" Tube Swivel Spout
- Replaceable Seats
- 2 or 3-Hole 4" Installation
- 1.5 GPM Flow Rate
- 1.5 GPM Flow Rate

FINISHES

- PC Polished Chrome

STANDARDS

- ASME A112.18.1
- ANSI A117.1 / ADA COMPLIANT



FLOW

- 1.5 GPM Flow Rate

WARRANTY

- Lifetime Limited Warranty
- Lifetime Residential Warranty
- 5 Year Commercial Warranty

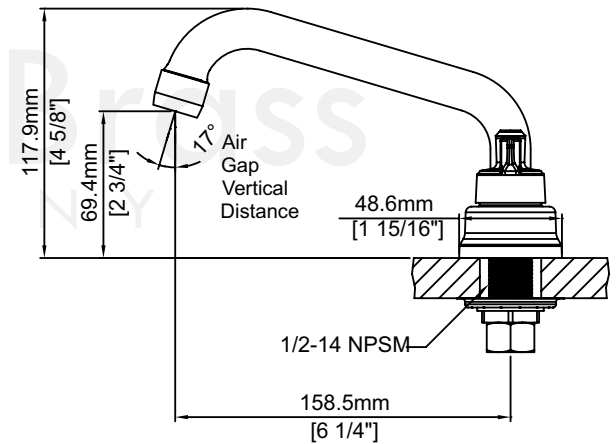
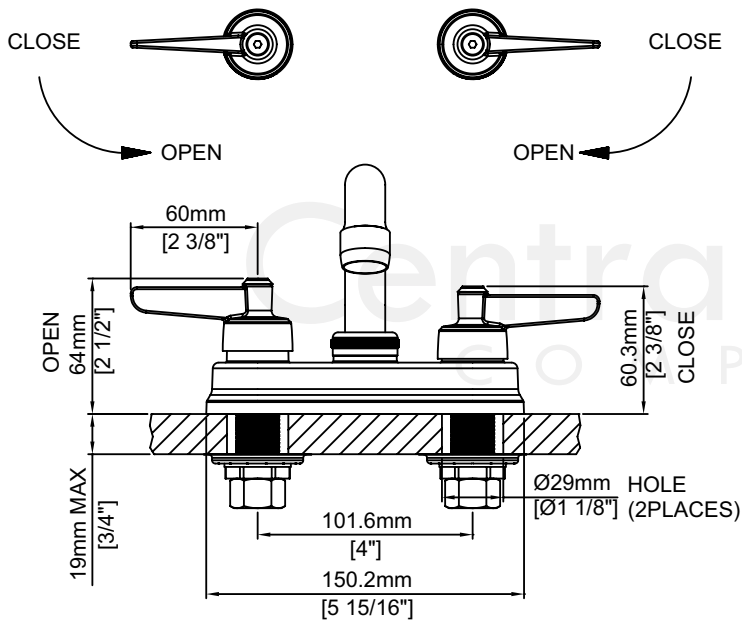
Job Name _____ Date _____
Model Specified _____ QTY _____
Customer/Wholesaler _____
Contractor _____
Architect/Engineer _____
Submitted as Shown _____
Submitted w/ Variations _____

0094-LE0/REV. 11 2016

Product Specifications subject to change without notice

Model# 0094-LE0

Two Handle Shell Type Bar/Laundry Faucet



0094-LE0/REV. 11 2016

Product Specifications subject to change without notice