

# FLOWCAL™ Automatic flow balancing valve with polymer cartridge

## 121 series



BSI EN ISO 9001:2000  
Cert. n° FM 21654



UNI EN ISO 9001:2000  
Cert. n° 0003



### Function

The FlowCal™ automatic flow balancing valve maintains a constant fixed flow rate within varying system differential pressure ranges. Operation is fully automatic requiring no manual adjustment. The 121 series utilize an exclusive, interchangeable flow cartridge, made of anti-scale, low noise polymer for use in cooling and heating systems. The FlowCal 121 series automatic flow balancing valves are available with integral shut-off ball valve and optional factory-installed pressure and temperature test ports. Drain valves are also available as an accessory for installing in the blowdown port connection.

### Product range

121 Series Automatic flow balancing valve with polymer cartridge, ball valve, with and without Pressure and Temperature Test ports

sizes 1/2" - 3/4" - 1" - 1 1/4"

### Technical specifications

#### Valve body

Materials:

- body: brass
- FlowCal flow cartridge: anti-scale polymer
- spring: stainless steel
- seals: EPDM
- ball: brass, chrome-plated
- ball seat and stem seal: PTFE
- lever: zinc coated steel with vinyl grip
- pressure and temperature test port plugs: brass
- pressure and temperature test ports: body and cap- brass; core- nordel
- drain port plug: brass

Medium: water, glycol solutions  
 Max. percentage of glycol: 50%  
 Max. working pressure: 400 psi (400 WOG)  
 Working temperature range: 32-212°F (0-100°C)

Connections: 1/2", 3/4", 1", 1 1/4" FNPT or Sweat  
 with union x FNPT or Sweat

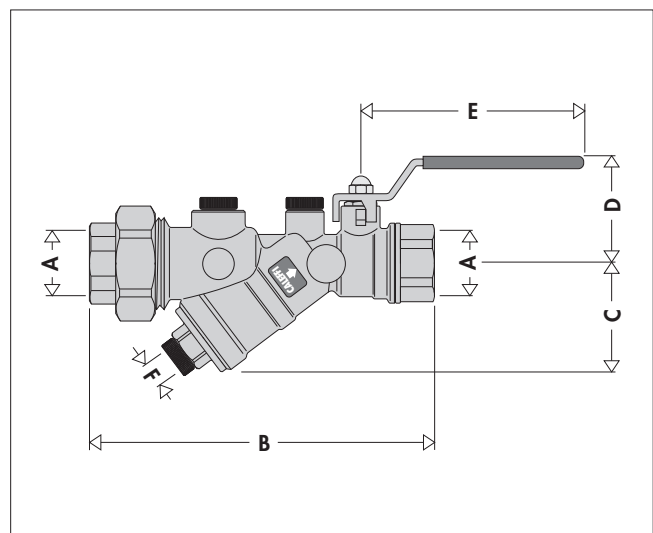
Pressure and temperature test ports connections: 1/4" FNPT  
 Blowdown port connection: 1/2" - 3/4": 1/4" FNPT  
 1" - 1 1/4": 1/2" FNPT

Flow rate: 27 flow rate settings ranging from 0.5 - 21 GPM  
 Flow accuracy: ±10%

Differential Pressure Control Ranges: 2-14, 2-32, 4-34, 5-35,  
 3-32, 4-35 (see table on page 5)

Identification: metal plate with ball chain stating ΔP range  
 and fixed flow rate

### Dimensions



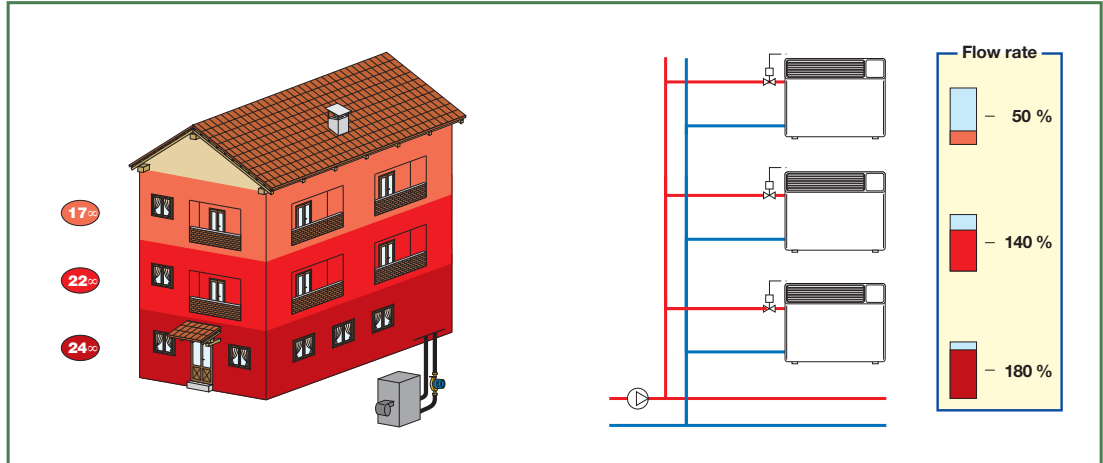
Code	A	B	C	D	E	F	Weight (lb)
121141 ...	1/2"	6 3/16"	1 15/16"	1 15/16"	3 15/16"	1/4"	2.7
121151 ...	3/4"	6 1/4"	1 15/16"	1 15/16"	3 15/16"	1/4"	2.7
121161 ...	1"	8 5/8"	3 3/4"	2 5/8"	4 3/4"	1/2"	5.0
121171 ...	1 1/4"	8 11/16"	3 3/4"	2 5/8"	4 3/4"	1/2"	5.0

# Circuit balancing

Modern heating and air-conditioning systems have to guarantee a high level of thermal comfort with a low energy consumption. This means supplying the system terminals with the correct design flow rates, to produce balanced hydraulic circuits.

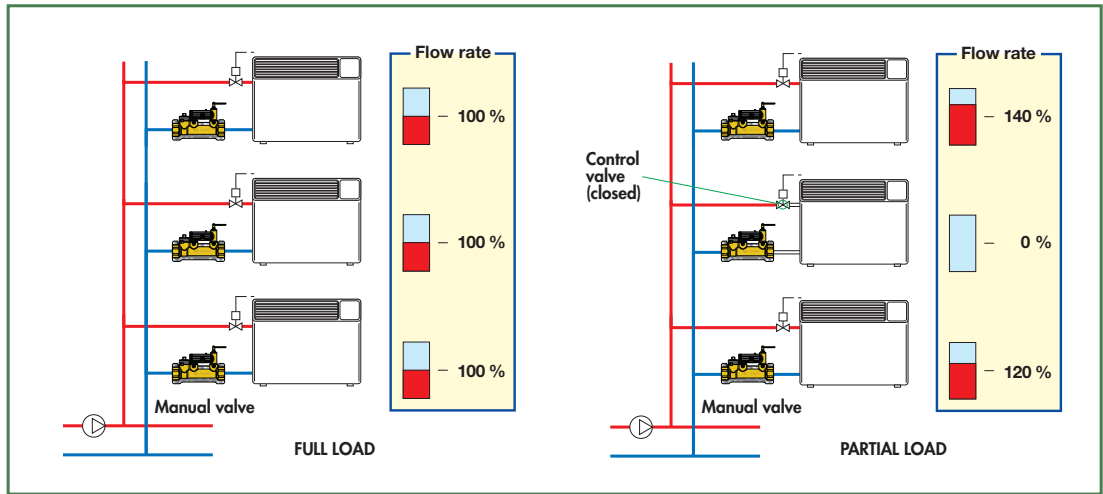
## Unbalanced circuits

In case of an unbalanced circuit, the hydraulic imbalance between emitters creates areas with temperatures which are not uniform, and, as a consequence, problems with thermal comfort and higher energy consumption.



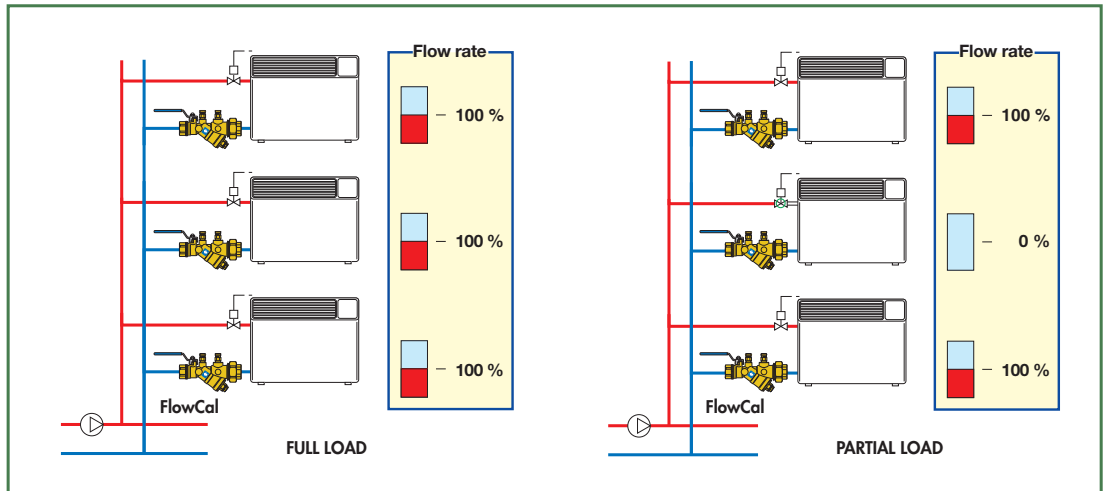
## Circuits balanced with manual valves

Traditionally, hydraulic circuits are balanced using manual calibration valves. With these static-type devices, such circuits are difficult to balance perfectly and have operating limitations in case of partial closure by means of the control valves. The flow rate in the open circuits **does not remain constant at the nominal value.**



## Circuits balanced with FLOWCAL

FLOWCAL balances the hydraulic circuit by automatically controlling the design flow rate to each emitter. Even with some circuits partially closed by the control valves, the flow rates in the open circuits **remain constant at the nominal value.** The system always provides the greatest comfort and the highest energy savings.



# FLOWCAL™ Automatic Flow Balancing Valves

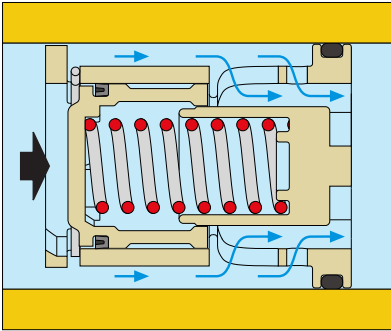
## Function

The FLOWCAL automatic flow balancing valve guarantees a constant flow rate when the upstream/downstream pressure differential varies. It is therefore necessary to refer to the  $\Delta p$  vs. flow rate diagram and to a basic diagram illustrating the operation methods and the relevant variable effects.

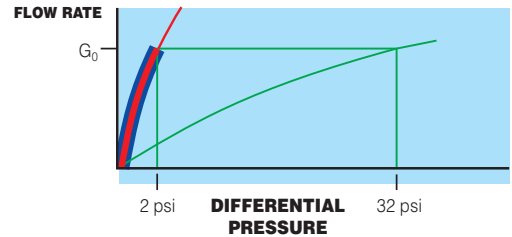
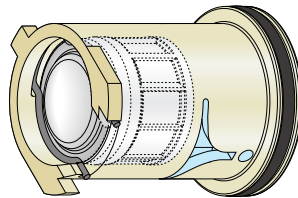
## Operating principle

The FLOWCAL flow cartridge is composed of a cylinder, a spring-loaded piston, and a combination of fixed and variable geometric orifices through which the fluid flows. These variable orifice sizes increase or decrease by the piston movement, contingent on the system's fluid thrust. A specially calibrated spring counteracts this movement to regulate the amount of fluid which may pass through the valve orifices, maintaining a balanced system. FLOWCAL valves are high performance automatic flow balancing valves which control selected flow rates within a very tight tolerance (approximately 10%) and offer a wide range of operation.

### Below the differential pressure control range (< 2 psid)\*

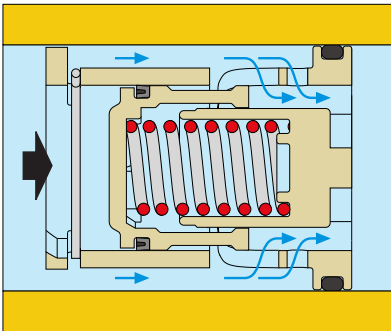


In this case, the spring-loaded regulating piston remains in equilibrium without compressing the spring and gives the fluid the maximum free flow area. When below the differential pressure control range the piston acts as a fixed orifice and thus the flow rate through the FLOWCAL depends only on the differential pressure.

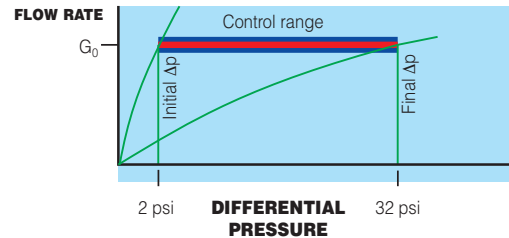
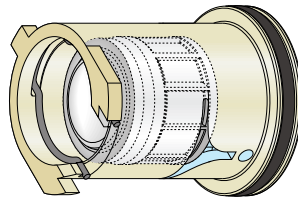


Range  $\Delta p$  2-32 psi where  $G_0$  = nominal flow rate

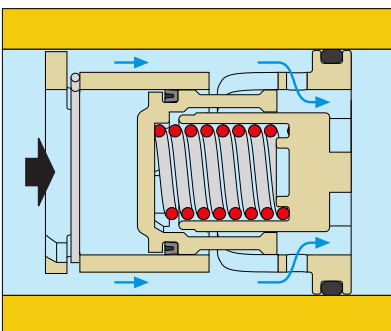
### Within the differential pressure control range (2 - 32 psid)\*



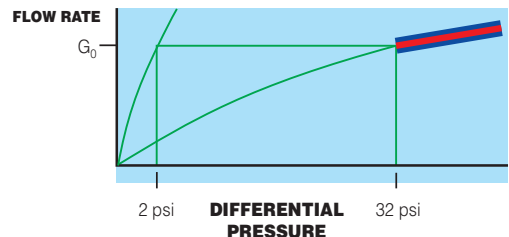
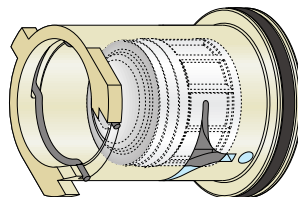
If the differential pressure is within the control range, the spring-loaded piston is positioned to give the fluid a free flow area permitting regular flow at the **nominal rate** for which the FLOWCAL is set up.



### Above the differential pressure control range (> 32 psid)\*



In this case, the spring-loaded piston fully compresses a spring and leaves only the fixed orifice for the fluid to pass through. The flow rate through the FLOWCAL depends only on the differential pressure.



Range  $\Delta p$  2-32 psi where  $G_0$  = nominal flow rate

## Construction details

### Polymer flow cartridge

The flow rate cartridge is made of an anti-scale polymer, specially engineered for use in cooling, heating and domestic water systems, to prevent mineral buildup.

Its mechanical behavior is excellent in a wide range of working temperatures, it features high resistance to the abrasion caused by continuous fluid flow, it is insensitive to the deposit of scale and is fully compatible with glycols and additives used in circuits.

### Exclusive design

With its exclusive design, the flow cartridge is able to accurately control the flow rate in a wide range of operating pressures. A special internal chamber acts as a damper for the vibrations triggered by the fluid flow, allowing low noise operating conditions to the device.

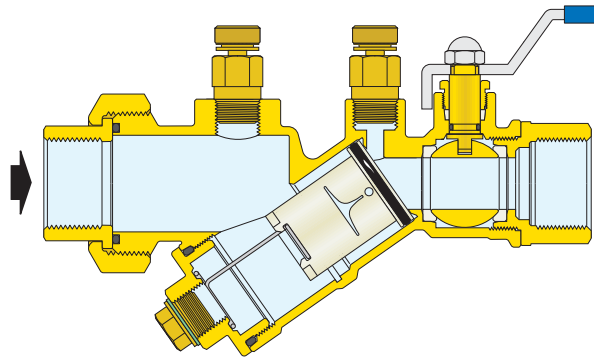
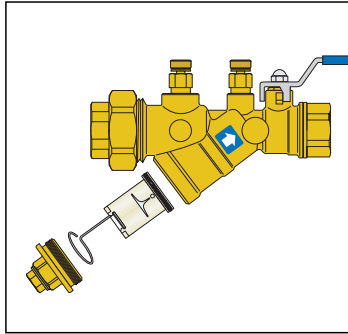
For these reasons it can be used in systems both on zone branch circuits and directly at the terminals.

### Ball valve

The control stem of the ball valve has a blowout-proof stem and the reversible closing lever is covered with vinyl.

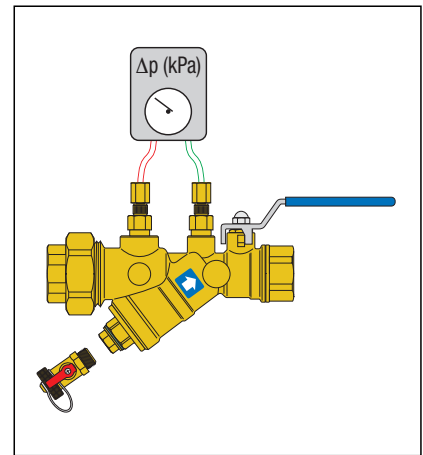
### Replaceable cartridge

The internal flow cartridge can be removed easily from the valve body for inspection, cleaning or replacement by unscrewing the cap as shown. Tools are not needed as the cartridge is removed with an integral retaining wire and ring.



### Pressure and temperature testing

The FLOWCAL balancing valve body is fitted with connections for the pressure and temperature test ports to read the pressure difference between inlet and outlet sides. This is useful when checking operation in the working range. In addition, drain valve (538202 FD -1/4" NPT; 538402 FD -1/2" NPT) can be connected for blowdown operations.



## Sizing the circuit with FLOWCAL™

Size the hydronic system with FLOWCAL automatic balancing valves as follows:

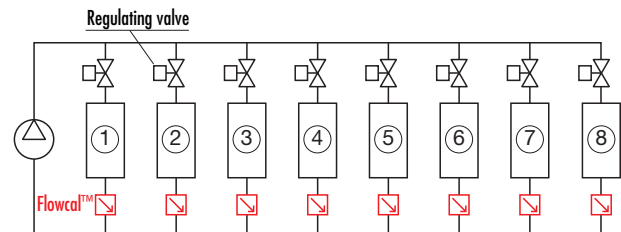
### 1. $\Delta P_{MAXCIRCUIT}$

Determine the pressure head loss for the zone circuit with the greatest pressure drop (flow resistance). This is true for any hydronic system with supply and return headers. As an example, this would be circuit #8 for the 2-pipe direct return system with circuits having identical resistance, illustrated to the right, as it is farthest from the pump. If, however, all circuits are not identical, choose the circuit with the greatest pressure drop.

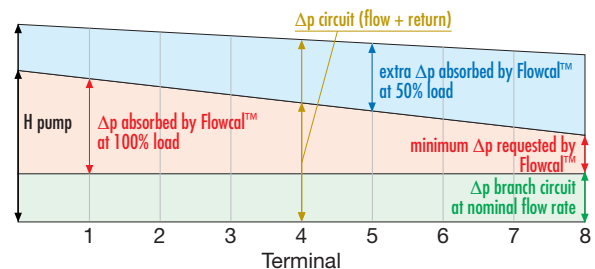
### 2. $\Delta P_{MINFLOWCAL}$

Add the minimum differential operating pressure (2, 4, or 5 psid) required for the FLOWCAL model selected for the circuit with the greatest pressure drop.

### 3. PUMP HEAD = $\Delta P_{MAXCIRCUIT} + \Delta P_{MINFLOWCAL}$

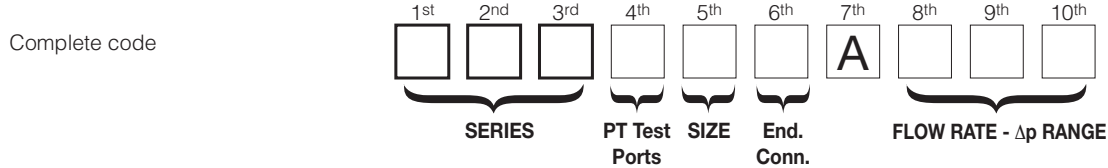


### Differential pressures ( $\Delta p$ )



**Ordering information for FLOWCAL 121 series**

Build the appropriate valve code number for your application from the order matrix below. Then select the desired flow rate from the flow rate table. When ordering, combine the appropriate code number from the matrix with the last 3 digits from the table below. Example: 121141AG50.



**SERIES**

1 <sup>st</sup>	2 <sup>nd</sup>	3 <sup>rd</sup>	The first three digits indicate the series:	121	FlowCal with integral ball valve
-----------------	-----------------	-----------------	---	-----	----------------------------------

**PRESS. AND TEMP. TEST PORTS**

4 <sup>th</sup>	The fourth digit indicates the PT Ports:	1	No factory installed PT Test Ports
		2	Factory installed PT Test Ports (std size)

**SIZE**

5 <sup>th</sup>	The fifth digit indicates the size:	Size	1/2"	3/4"	1"	1 1/4"
		Digit	4	5	6	7

**END CONNECTIONS**

6 <sup>th</sup>	The sixth digit indicates the end connection style:	1	NPT threaded connections
		3	Sweat connections

**FLOW RATE AND Δp RANGE**

7 <sup>th</sup>	8 <sup>th</sup>	9 <sup>th</sup>	The last three digits indicate the flow rate (select from table below).
-----------------	-----------------	-----------------	---

**Flow rate order code table**

GPM	Last 3 digit of code no. (●●●)	Pressure Differential Control Range (psid)
0.5	G50	2-14
0.75	G75	
1	1G0	
1.5	1G5	2-32
2	2G0	
2.5	2G5	
3	3G0	
3.5	3G5	
4	4G0	
4.5	4G5	4-34
5	5G0	
6	6G0	
7	7G0	
8	8G0	

GPM	Last 3 digit of code no. (●●●)	Pressure Differential Control Range (psid)
9	9G0	5-35
10	10G	
11	11G	3-32
12	12G	
13	13G	
14	14G	
15	15G	4-35
16	16G	
17	17G	
18	18G	
19	19G	
20	20G	
21	21G	

**Flow rate by valve size table**

Code	Size	Flow rates (gpm)																										
121•41A ●●●	1/2" NPT	0.50	0.75	1.00	1.50	2.00	2.50	3.00	3.50	4.00	4.50	5.00	6.00	7.00	8.00	9.00	10.00											
121•49A ●●●	1/2" Sweat	0.50	0.75	1.00	1.50	2.00	2.50	3.00	3.50	4.00	4.50	5.00	6.00	7.00	8.00	9.00	10.00											
121•51A ●●●	3/4" NPT	0.50	0.75	1.00	1.50	2.00	2.50	3.00	3.50	4.00	4.50	5.00	6.00	7.00	8.00	9.00	10.00											
121•59A ●●●	3/4" Sweat	0.50	0.75	1.00	1.50	2.00	2.50	3.00	3.50	4.00	4.50	5.00	6.00	7.00	8.00	9.00	10.00											
121•61A ●●●	1" NPT					2.50	3.00	3.50	4.00	4.50	5.00	6.00	7.00	8.00	9.00	10.00	11.00	12.00	13.00	14.00	15.00	16.00	17.00	18.00	19.00	20.00	21.00	
121•69A ●●●	1" Sweat					2.50	3.00	3.50	4.00	4.50	5.00	6.00	7.00	8.00	9.00	10.00	11.00	12.00	13.00	14.00	15.00	16.00	17.00	18.00	19.00	20.00	21.00	
121•71A ●●●	1 1/4" NPT									4.00	4.50	5.00	6.00	7.00	8.00	9.00	10.00	11.00	12.00	13.00	14.00	15.00	16.00	17.00	18.00	19.00	20.00	21.00
121•79A ●●●	1 1/4" Sweat									4.00	4.50	5.00	6.00	7.00	8.00	9.00	10.00	11.00	12.00	13.00	14.00	15.00	16.00	17.00	18.00	19.00	20.00	21.00

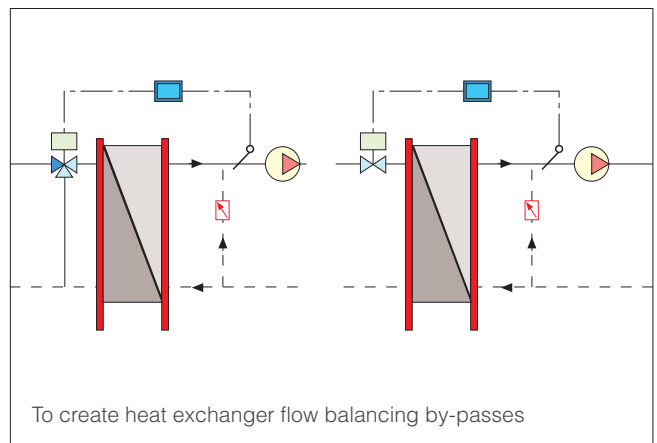
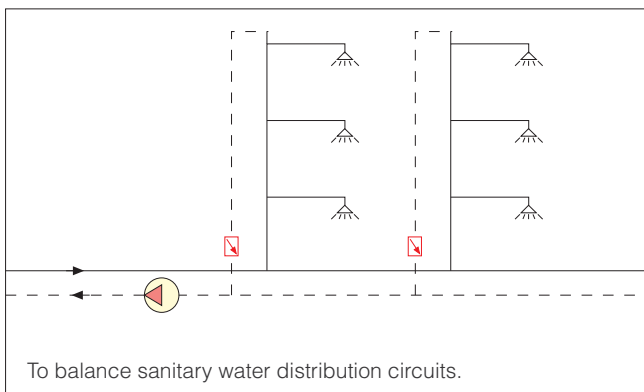
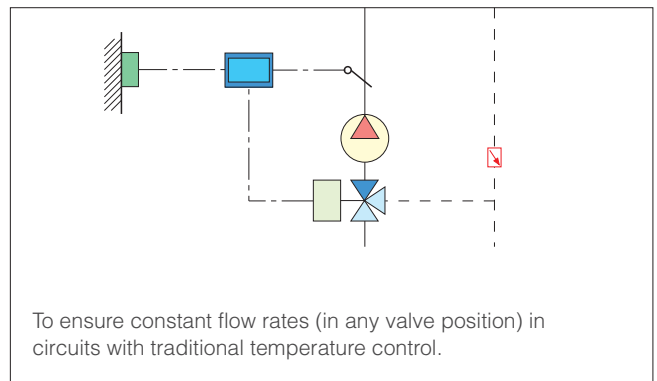
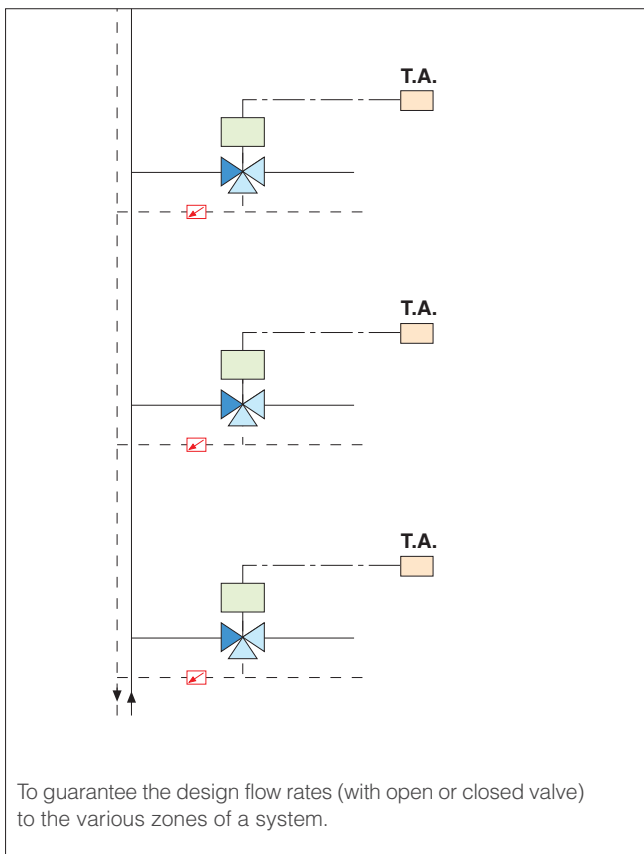
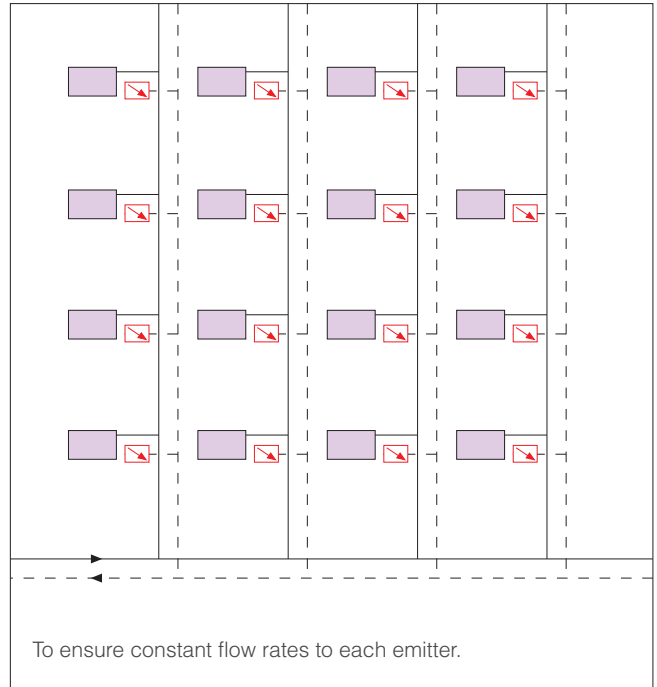
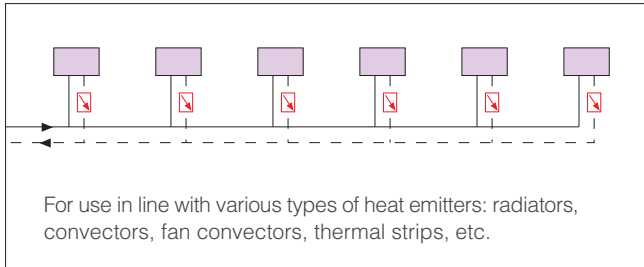
  

ΔP range (psid)	2-14	2-32	4-34	5-35	3-32	4-35
-----------------	------	------	------	------	------	------

# Applications of FLOWCAL™ ( )

## Installation of FLOWCAL

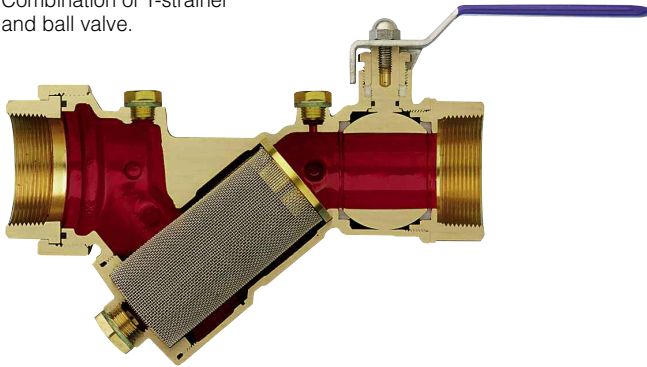
In air-conditioning systems, FLOWCAL devices must preferably be installed on the circuit return pipe. Some typical installation examples are given below.



## Accessories

### 120 Y-Strainer

Combination of Y-strainer and ball valve.



Brass body.  
 Stainless steel filter cartridge.  
 Maximum working pressure: 400 psig (400 WOG)  
 Working temperature range: 32–212°F (0–100°C)  
 Strainer mesh diameter: 0.87 mm (20 mesh)  
 Connections: - body: 1/2", 3/4", 1", 1 1/4" FNPT union x FNPT, or sweat union x sweat  
 Pressure and temperature ports: 1/4" NPT  
 Drain port connection: 1/4" for 1/2" & 3/4"; 1/2" for 1" & 1 1/4"

Code*	Size	Cv
120.4.A 000	1/2"	8.0
120.5.A 000	3/4"	8.4
120.6.A 000	1"	19.3
120.7.A 000	1 1/4"	20.0

\*4<sup>th</sup> digit: 1 = No PT ports; 3 = Factory-installed PT ports.  
 6<sup>th</sup> digit: 1 = NPT end connections; 9=Sweat end connections.

### NA1023 PT test ports

Fast-plug pressure/temperature test ports for FlowCal automatic flow balancing valves. Their special construction enables rapid and accurate measurements without the need to leave expensive test equipment inline. The double-sealing core insures long and trouble-free service.

Can be used for:

- checking the operation of FlowCal balancing valve;
- checking for strainer clogging;
- checking the heat output of the emitter terminals.

Brass body.  
 Nordel Core.  
 Working temperature range: 0–275°F (-18–135°C)  
 Max. working pressure: 1000 psi (69 bar).

Code	Size
NA10233	1/4" NPT PT Test Port and Cap, standard size
NA10235	1/4" NPT PT Test Port and Cap, 2 1/4" length



### 538

Drain valve with 3/4" garden hose connection.

Code	Size
538202 FD	1/4"
538402 FD	1/2"

## SPECIFICATION SUMMARIES

### 121 series

Automatic flow balancing valve and integral ball valve, FLOWCAL™. Brass body. Anti-scale low noise polymer cartridge. Stainless steel spring. EPDM seals. Chrome-plated brass ball. PTFE ball seat and stem seal. Zinc-plated steel lever with vinyl grip. Brass pressure and temperature port plugs. Medium: water and glycol solutions. Maximum working pressure rating is 400 psig (400 WOG). Maximum percentage of glycol 50%. Temperature range 32 - 212°F (0–100°C). Accuracy ± 10%. Δp Range 2–35 psid. Range of available flow rates: 0.5–21 GPM. Connections 1/2", 3/4", 1" and 1 1/4" NPT female or Sweat with union x NPT female or Sweat.

*We reserve the right to change our products and their relevant technical data, contained in this publication, at any time and without prior notice.*



---

Caleffi North America, Inc.  
3883 West Milwaukee Road / Milwaukee, WI 53208  
Tel: 414.238.2360 / Fax: 414.238.2366 / [www.caleffi.us](http://www.caleffi.us)  
© Copyright 2011 Caleffi