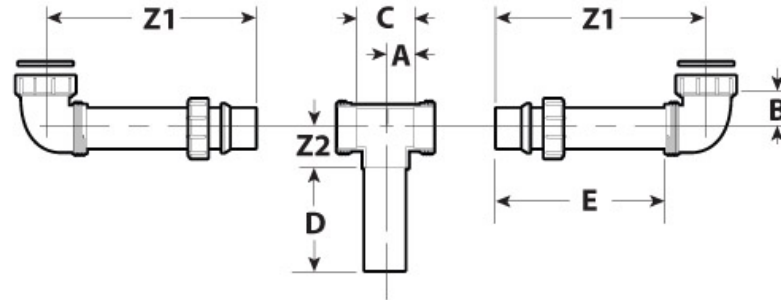


canplas
PLUMBING
Submittal Sheet

Part Description:
1-1/2" ABS DWV Continuous Waste Center
Outlet Tubular 16" (Center to Center) Direct
Connect Kit

Part Number:
103941ABC

Approvals and Listings maintained by:
Canplas Industries Ltd
Canada: 1-800-461-5300 USA: 1-888-461-5307



Part #	Part UPC	Colour	Size (inches)	Ctn Qty	Ctn Bar Code	Ctn. Wt (Kgs)	Ctn. Wt (lbs)	Skid Cubic (m)	Skid Cubic (ft)	Ctns/Skid
103941ABC	662671103116	BLACK	1-1/2X1-1/2X1-1/2	20	20662671103110	5.12	11.26	1.86	65.82	32

Dimensions (inches)

A	B	C	D	E	Z1
0.86	1.72	1.72	3.83	5.72	7.22