

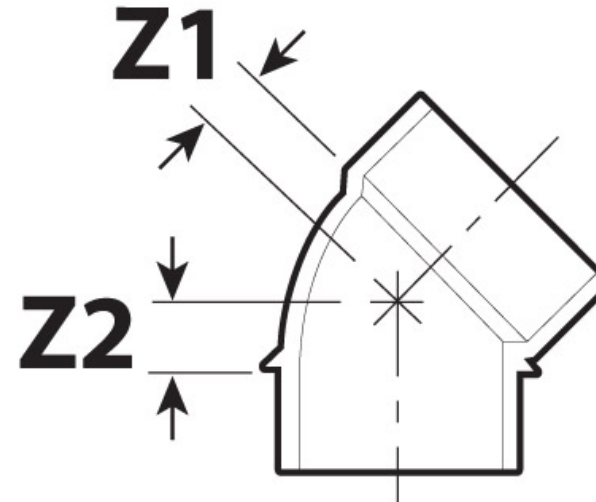


Submittal Sheet

Part Description:
 1-1/2" PVC DWV 45 Degree or 1/8 Street
 Bend or Elbow Spigot X H

Part Number:
 202421

Approvals and Listings maintained by:
 Canplas Industries Ltd
 Canada: 1-800-461-5300 USA: 1-888-461-5307



Part #	Part UPC	Colour	Size (inches)	Ctn Qty	Ctn Bar Code	Ctn. Wt (Kgs)	Ctn. Wt (lbs)	Skid Cubic (m)	Skid Cubic (ft)	Ctns/Skid
202421	662671200686	GREY	1-1/2X1-1/2	125	10662671200683	8.35	18.37	1.79	63.37	48

Dimensions (inches)

Z1	Z2
0.71	0.46