



Submittal Sheet

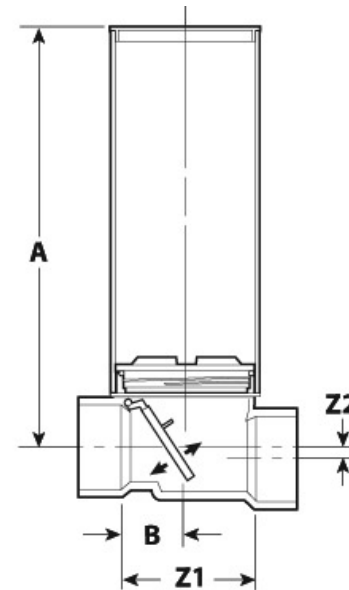
Part Description:

4" PVC Gray DWV Backwater Valve with 16" Access Sleeve and Lid H X H

Part Number:

223285

Approvals and Listings maintained by:  
 Canplas Industries Ltd  
 Canada: 1-800-461-5300 USA: 1-888-461-5307



Part #	Part UPC	Colour	Size (inches)	Ctn Qty	Ctn Bar Code	Ctn. Wt (Kgs)	Ctn. Wt (lbs)	Skid Cubic (m)	Skid Cubic (ft)	Ctns/Skid
223285	662671220325	GREY	4X4	1	10662671220322	3.48	7.66	1.83	64.59	45

Dimensions (inches)

A	Z1	Z2
18.96	6.19	0.34