

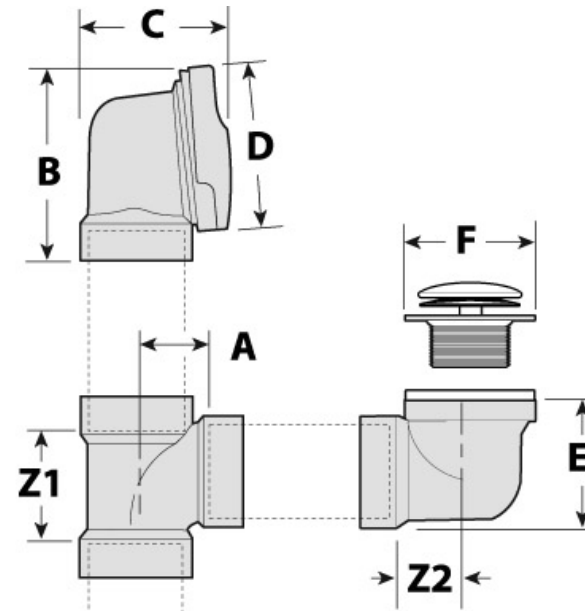


Submittal Sheet

Part Description:
 1-1/2" PVC Gray Waste & Overflow, Indirect
 Kit, Pop Up Drain (Chrome Trim) without Pipe

Part Number:
 322808

Approvals and Listings maintained by:
 Canplas Industries Ltd
 Canada: 1-800-461-5300 USA: 1-888-461-5307



Part #	Part UPC	Colour	Size (inches)	Ctn Qty	Ctn Bar Code	Ctn. Wt (Kgs)	Ctn. Wt (lbs)	Skid Cubic (m)	Skid Cubic (ft)	Ctns/Skid
322808	662671320568	GREY	1-1/2X1-1/2X1-1/2X1-1/2X1-1/2	25	10662671320565	13.26	29.17	1.86	65.82	32

Dimensions (inches)

A	B	C	D	E	F	Z1	Z2
1.52	3.17	3.17	3.23	2.52	2.75	2.53	1.33