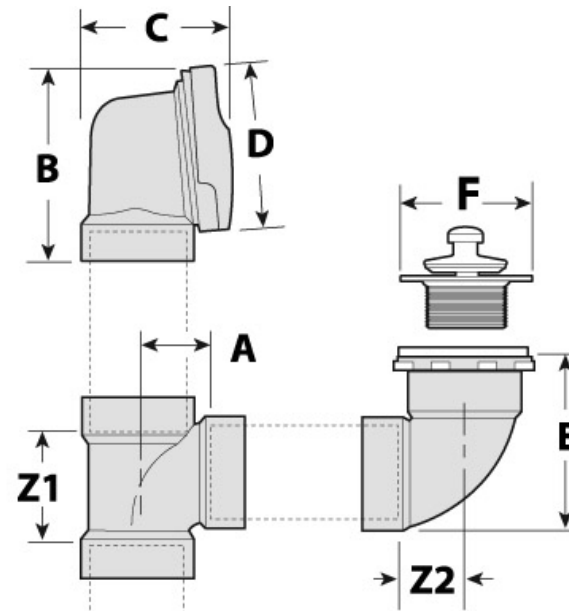


canplas[®]
PLUMBING
Submittal Sheet

Part Description:
1-1/2" PVC Gray Waste & Overflow,
Convertible Kit, Lift & Turn (Chrome) no Pipe
or Sanitary Tee

Part Number:
322906

Approvals and Listings maintained by:
Canplas Industries Ltd
Canada: 1-800-461-5300 USA: 1-888-461-5307



Part #	Part UPC	Colour	Size (inches)	Ctn Qty	Ctn Bar Code	Ctn. Wt (Kgs)	Ctn. Wt (lbs)	Skid Cubic (m)	Skid Cubic (ft)	Ctns/Skid
322906	662671320292	GREY	1-1/2X1-1/2X1-1/2X1-1/2X1-1/2	25	10662671320299	13.54	29.79	1.86	65.82	32

Dimensions (inches)

A	B	C	D	E	F	Z1	Z2
1.52	3.17	3.17	3.23	3.56	2.75	2.53	1.42