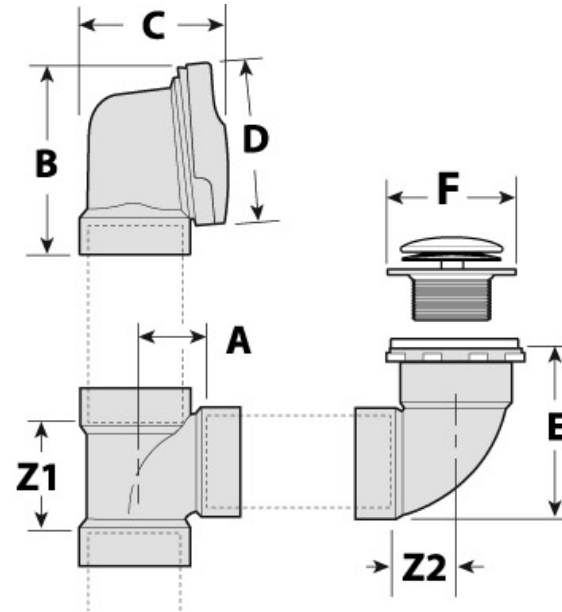


**canplas**  
PLUMBING  
Submittal Sheet

Part Description:  
1-1/2" PVC Gray Waste & Overflow,  
Convertible Kit, Pop Up (Chrome Trim) without  
Pipe or Sanitary Tee

Part Number:  
322908

Approvals and Listings maintained by:  
Canplas Industries Ltd  
Canada: 1-800-461-5300 USA: 1-888-461-5307



| Part # | Part UPC     | Colour | Size (inches)                 | Ctn Qty | Ctn Bar Code   | Ctn. Wt (Kgs) | Ctn. Wt (lbs) | Skid Cubic (m) | Skid Cubic (ft) | Ctns/Skid |
|--------|--------------|--------|-------------------------------|---------|----------------|---------------|---------------|----------------|-----------------|-----------|
| 322908 | 662671320308 | GREY   | 1-1/2X1-1/2X1-1/2X1-1/2X1-1/2 | 25      | 10662671320305 | 13.41         | 29.50         | 1.86           | 65.82           | 32        |

Dimensions (inches)

| A    | B    | C    | D    | E    | F    | Z1   | Z2   |
|------|------|------|------|------|------|------|------|
| 1.52 | 3.17 | 3.17 | 3.23 | 3.56 | 2.75 | 2.53 | 1.42 |