

canplas[®]

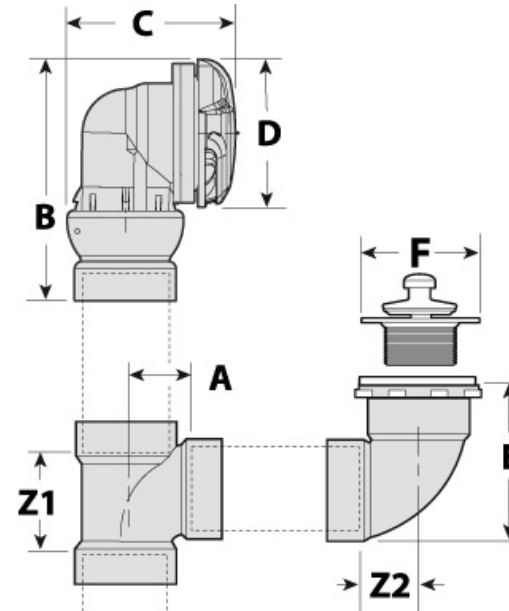
PLUMBING

Submittal Sheet

Part Description:
 PVC DWV adjustable angle bath waste and overflow kit with chrome plated Lift & Turn

Part Number:
 323856

Approvals and Listings maintained by:
 Canplas Industries Ltd
 Canada: 1-800-461-5300 USA: 1-888-461-5307



Part #	Part UPC	Colour	Size (inches)	Ctn Qty	Ctn Bar Code	Ctn. Wt (Kgs)	Ctn. Wt (lbs)	Skid Cubic (m)	Skid Cubic (ft)	Ctns/Skid
323856	662671068644	WHITE	2	25	10662671068641	14.19	31.22	1.47	63.37	24

Dimensions (inches)

A	B	C	D	E	F	Z1	Z2
1.41	3.80	3.80	3.25	3.39	2.75	1.42	1.43