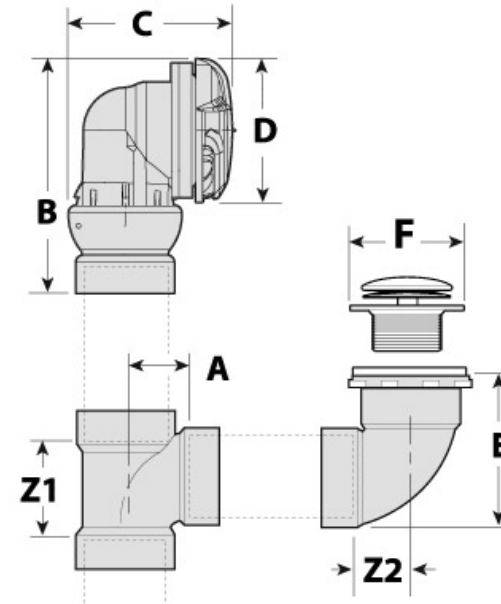


**canplas**<sup>®</sup>  
PLUMBING  
Submittal Sheet

Part Description:  
PVC DWV adjustable angle bath waste  
and overflow kit with chrom plated pop  
up

Part Number:  
323858

Approvals and Listings maintained by:  
Canplas Industries Ltd  
Canada: 1-800-461-5300 USA: 1-888-461-5307



Part #	Part UPC	Colour	Size (inches)	Ctn Qty	Ctn Bar Code	Ctn. Wt (Kgs)	Ctn. Wt (lbs)	Skid Cubic (m)	Skid Cubic (ft)	Ctns/Skid
323858	662671068651	WHITE	2	25	10662671068658	14.07	30.95	1.47	63.37	24

Dimensions (inches)

A	B	C	D	E	F	Z1	Z2
1.41	3.80	3.80	3.25	3.39	2.75	1.42	1.43