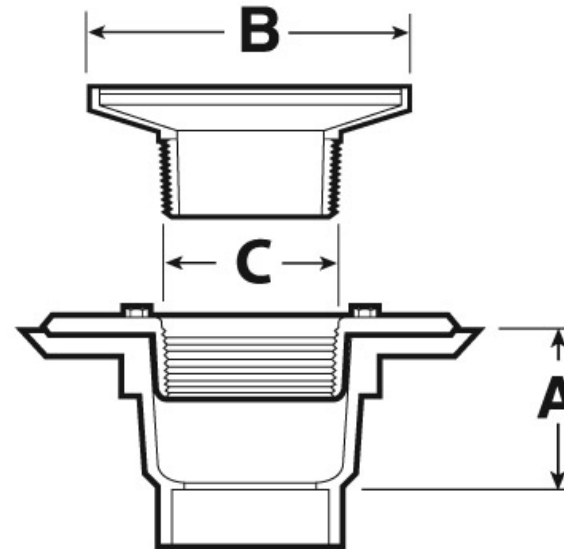


canplas[®]
PLUMBING
Submittal Sheet

Part Description:
2" X 3" ABS DWV Economy Low Profile
Bolt-Down Shower Drain with Stainless
Steel Strainer X H

Part Number:
331957SS

Approvals and Listings maintained by:
Canplas Industries Ltd
Canada: 1-800-461-5300 USA: 1-888-461-5307



Part #	Part UPC	Colour	Size (inches)	Ctn Qty	Ctn Bar Code	Ctn. Wt (Kgs)	Ctn. Wt (lbs)	Skid Cubic (m)	Skid Cubic (ft)	Ctns/Skid
331957SS	662671330871	BLACK	2X3	20	10662671330878	6.62	14.56	1.79	63.37	48

Dimensions (inches)

A	B	C
2.10	4.24	2.31