

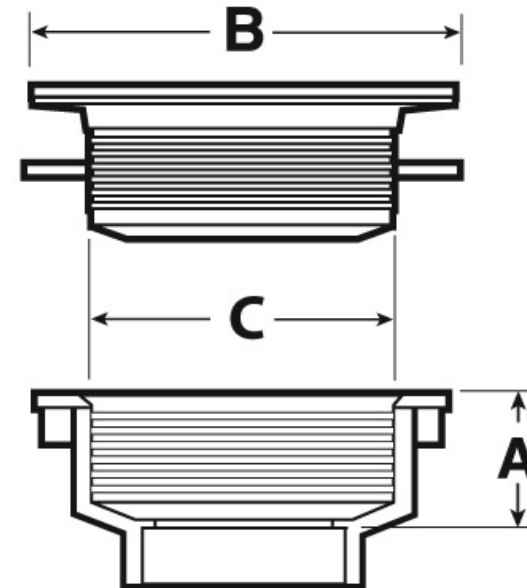


Submittal Sheet

Part Description:
2" ABS DWV Round Shower Drain with
an ABS WHITE Strainer X H

Part Number:
332042

Approvals and Listings maintained by:
Canplas Industries Ltd
Canada: 1-800-461-5300 USA: 1-888-461-5307



Part #	Part UPC	Colour	Size (inches)	Ctn Qty	Ctn Bar Code	Ctn. Wt (Kgs)	Ctn. Wt (lbs)	Skid Cubic (m)	Skid Cubic (ft)	Ctns/Skid
332042	662671330178	BLACK	2	25	10662671330175	5.69	12.52	1.79	63.37	72

Dimensions (inches)

A	B	C
1.3	4.35	3.21