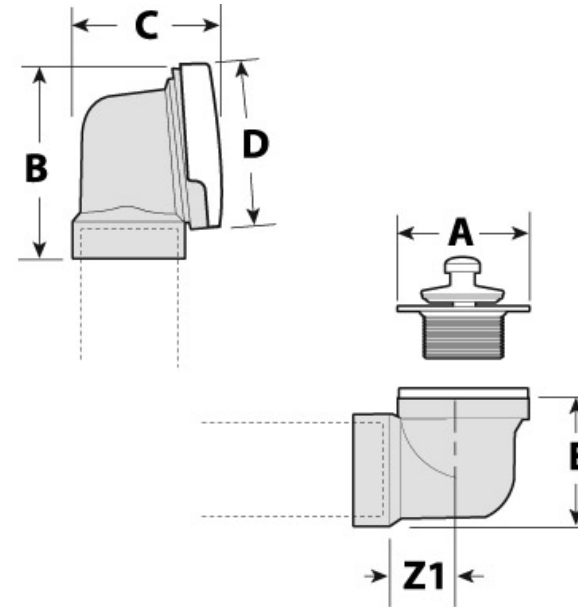


canplas[®]
PLUMBING
Submittal Sheet

Part Description:
1-1/2" ABS DWV Waste & Overflow Half Kit, Lift & Turn, Course Thread, Chrome Trim.

Part Number:
332925LCP

Approvals and Listings maintained by:
Canplas Industries Ltd
Canada: 1-800-461-5300 USA: 1-888-461-5307



Part #	Part UPC	Colour	Size (inches)	Ctn Qty	Ctn Bar Code	Ctn. Wt (Kgs)	Ctn. Wt (lbs)	Skid Cubic (m)	Skid Cubic (ft)	Ctns/Skid
332925LCP	662671333032	BLACK	1-1/2X1-1/2X1-1/2	25	10662671333039	12.20	26.84	1.86	65.82	32

Dimensions (inches)

A	B	C	D	E	Z1
2.82	3.33	3.33	3.18	2.57	1.20