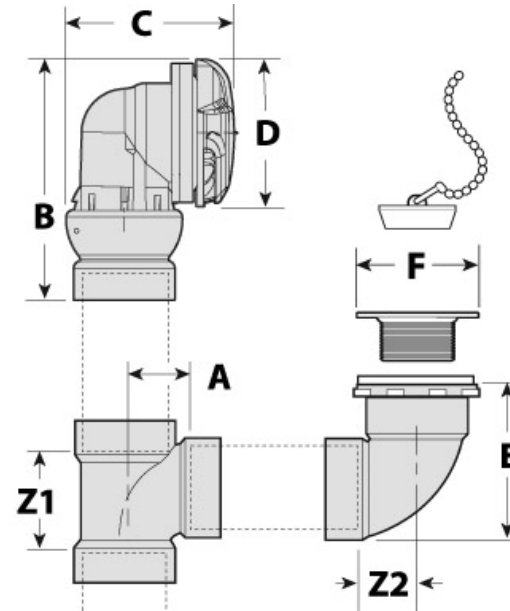


canplas[®]
PLUMBING
Submittal Sheet

Part Description:
ABS DWV adjustable angle bath waste and overflow kit with chrome plated plug and chain

Part Number:
333854

Approvals and Listings maintained by:
Canplas Industries Ltd
Canada: 1-800-461-5300 USA: 1-888-461-5307



Part #	Part UPC	Colour	Size (inches)	Ctn Qty	Ctn Bar Code	Ctn. Wt (Kgs)	Ctn. Wt (lbs)	Skid Cubic (m)	Skid Cubic (ft)	Ctns/Skid
333854	662671068606	Black	3X4	25	10662671068603	12.09	26.60	1.79	63.37	24

Dimensions (inches)

A	B	C	D	E	F	Z1	Z2
1.41	3.80	3.80	3.25	3.39	2.75	1.42	1.43