

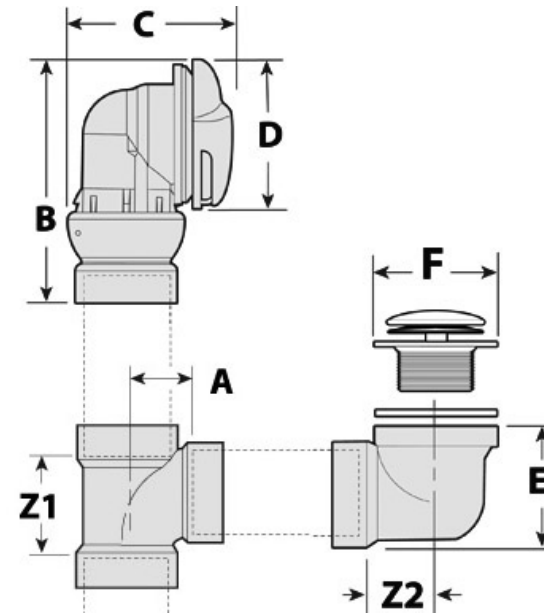


Submittal Sheet

Part Description:
FR Pro PVC Adjustable Angle Waste & Overflow Indirect Kit Pop Up Chrome Plate

Part Number:
382858

Approvals and Listings maintained by:
Canplas Industries Ltd
Canada: 1-800-461-5300 USA: 1-888-461-5307



Part #	Part UPC	Colour	Size (inches)	Ctn Qty	Ctn Bar Code	Ctn. Wt (Kgs)	Ctn. Wt (lbs)	Skid Cubic (m)	Skid Cubic (ft)	Ctns/Skid
382858	662671073211	gray	1 1/2"	25	10662671073218	14.19	31.28	1.79	63.37	24

Dimensions (inches)

A	B	C	D	E	F	Z1	Z2
1.43	3.8	3.8	3.25	2.63	2.75	2.28	1.34