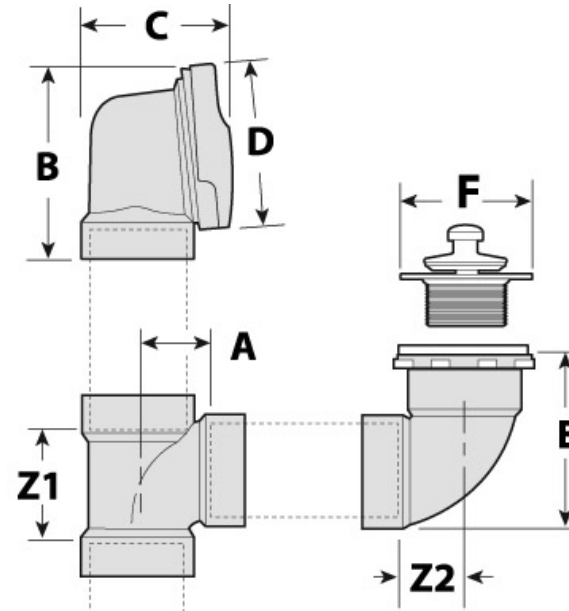
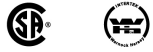


canplas
PLUMBING
Submittal Sheet

Part Description:
1-1/2" PVC FR-Pro Gray Waste & Overflow,
Convertible Kit, Lift & Turn (Chrome) without
Pipe

Part Number:
382906

Approvals and Listings maintained by:
Canplas Industries Ltd
Canada: 1-800-461-5300 USA: 1-888-461-5307



Part #	Part UPC	Colour	Size (inches)	Ctn Qty	Ctn Bar Code	Ctn. Wt (Kgs)	Ctn. Wt (lbs)	Skid Cubic (m)	Skid Cubic (ft)	Ctns/Skid
382906	662671380029	GREY	1-1/2X1-1/2X1-1/2X1-1/2X1-1/2	25	10662671380026	14.21	31.26	1.86	65.82	32

Dimensions (inches)

A	B	C	D	E	F	Z1	Z2
1.43	3.21	3.21	3.23	3.43	2.75	2.28	1.23