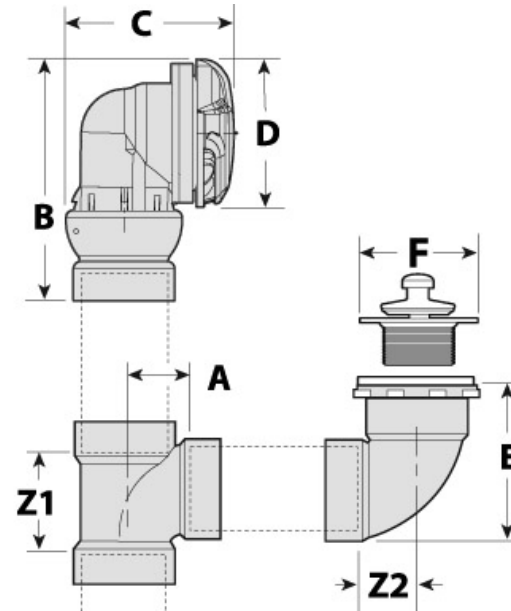
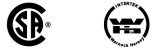


**canplas**  
PLUMBING  
Submittal Sheet

Part Description:  
PVC FR-Pro DWV adjustable angle bath  
waste and overflow kit with chrom plated Lift &  
Turn

Part Number:  
383856

Approvals and Listings maintained by:  
Canplas Industries Ltd  
Canada: 1-800-461-5300 USA: 1-888-461-5307



Part #	Part UPC	Colour	Size (inches)	Ctn Qty	Ctn Bar Code	Ctn. Wt (Kgs)	Ctn. Wt (lbs)	Skid Cubic (m)	Skid Cubic (ft)	Ctns/Skid
383856	662671068675	Grey	1-1/2X1-1/2X1-1/2X1-1/2X1-1/2	25	10662671068672	14.79	32.54	1.79	63.37	24

Dimensions (inches)

A	B	C	D	E	F	Z1	Z2
1.41	3.80	3.80	3.25	3.39	2.75	1.42	1.43