

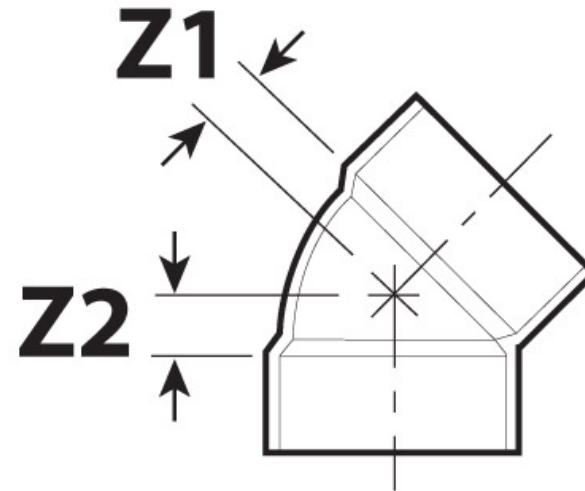


Submittal Sheet

Part Description:  
 3" PVC WHITE Sewer 45 Degree (1/8) Bend  
 or Elbow H X H

Part Number:  
 414183BC

Approvals and Listings maintained by:  
 Canplas Industries Ltd  
 Canada: 1-800-461-5300 USA: 1-888-461-5307



Part #	Part UPC	Colour	Size (inches)	Ctn Qty	Ctn Bar Code	Ctn. Wt (Kgs)	Ctn. Wt (lbs)	Skid Cubic (m)	Skid Cubic (ft)	Ctns/Skid
414183BC	662671410238	WHITE	3X3	70	20662671410232	9.70	21.34	1.90	67.04	18

Dimensions (inches)

Z1	Z2
0.73	0.74