

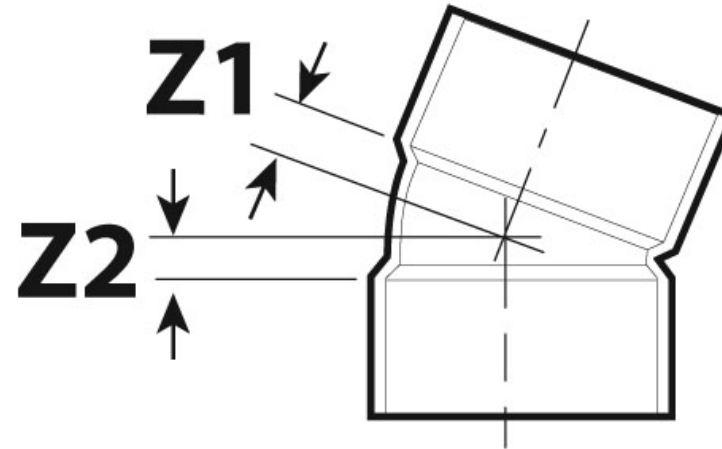


Submittal Sheet

Part Description:  
 6" PVC WHITE Sewer 22-1/2 Degree (1/16)  
 Bend or Elbow H X H

Part Number:  
 414206BC

Approvals and Listings maintained by:  
 Canplas Industries Ltd  
 Canada: 1-800-461-5300 USA: 1-888-461-5307



| Part #   | Part UPC     | Colour | Size (inches) | Ctn Qty | Ctn Bar Code   | Ctn. Wt (Kgs) | Ctn. Wt (lbs) | Skid Cubic (m) | Skid Cubic (ft) | Ctns/Skid |
|----------|--------------|--------|---------------|---------|----------------|---------------|---------------|----------------|-----------------|-----------|
| 414206BC | 662671410306 | WHITE  | 6X6           | 12      | 20662671410300 | 10.07         | 22.15         | 1.90           | 67.04           | 18        |

Dimensions (inches)

|      |      |
|------|------|
| Z1   | Z2   |
| 0.73 | 0.84 |