

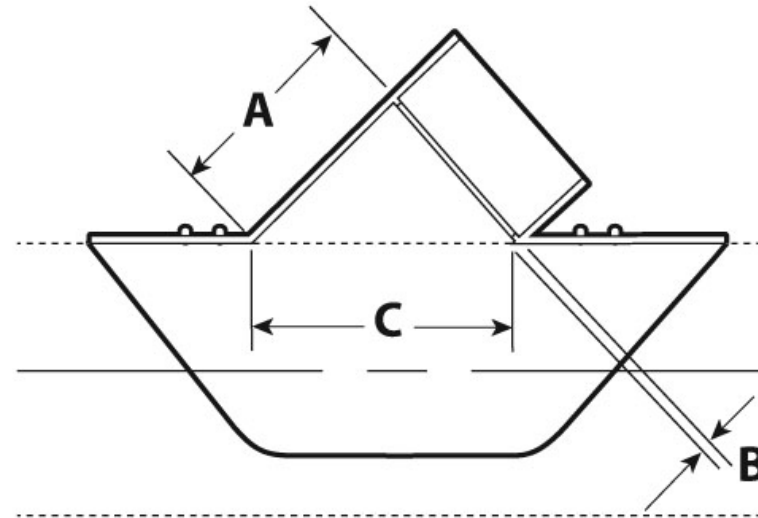


Submittal Sheet

Part Description:  
 4" on 6" PVC WHITE Sewer Saddle Wye  
 Solvent Skirt X H

Part Number:  
 414846BC

Approvals and Listings maintained by:  
 Canplas Industries Ltd  
 Canada: 1-800-461-5300 USA: 1-888-461-5307



Part #	Part UPC	Colour	Size (inches)	Ctn Qty	Ctn Bar Code	Ctn. Wt (Kgs)	Ctn. Wt (lbs)	Skid Cubic (m)	Skid Cubic (ft)	Ctns/Skid
414846BC	662671410672	WHITE	4X6	15	20662671410676	11.24	29.68	1.20	42.55	8

Dimensions (inches)

A	B	C
4.42	6.00	6.00