

# RSG13\*\*S1M

## SPECIFICATIONS

### Refrigerant System

- R410a Refrigerant
- High-quality condenser coil with copper tubing and enhanced louvered fin for maximum heat transfer capacity
- Top discharge directs hot air away from living area and shrubbery
- All units factory run tested
- Easy access to electrical panels
- Corner mounted service valves for easy hook-up and service
- Liquid line filter drier shipped loose
- Charged for 15 feet of interconnecting tubing
- All units ETL and ETL approved and AHRI certified

## SPLIT AIR CONDITIONER SYSTEM

13 SEER



## Warranty

Standard warranty or Extended warranty available with product registration.  
See warranty document for details or visit [www.marsdelivers.com](http://www.marsdelivers.com)

## MODEL NUMBER GUIDE

<b>R</b>	<b>S</b>	<b>G</b>	<b>13</b>	<b>24</b>	<b>S</b>	<b>1</b>	<b>M</b>
Residential Condenser	Split System	'Green' Gas R-410A	SEER 13, 14, 16	Capacity BTUH x 1000	S = Scroll Compressor	Power 1 = 208/230-1-60	Series/ Revision

## ELECTRICAL AND PHYSICAL DATA

Model	Voltage/ Hz/ Phase	Voltage Range	Min. Circuit (Amps)	Max. Fuse (Amps) <sup>1</sup>	Compressor		Fan Motor			Refrig. Charge (oz.) <sup>2</sup>	Weight (lbs.)	
					Rated Load (Amps)	Locked Rotor (Amps)	Full Load (Amps)	Rated HP	Nom. RPM		Louvered	
RSG1318	208-230/60/1	197-253	10.9	15	8.1	39	0.7	1/10	1010	62	136	
RSG1324	208-230/60/1	197-253	14.1	20	10.7	53	0.7	1/10	1010	63	137	
RSG1330	208-230/60/1	197-253	15.6	25	11.6	59	1.1	1/5	1090	82	147	
RSG1336	208-230/60/1	197-253	20.1	35	15.2	70	1.1	1/5	1090	84	149	
RSG1342	208-230/60/1	197-253	28.1	45	21.1	90	1.7	1/4	825	104	194	
RSG1348	208-230/60/1	197-253	31.9	50	24.1	100	1.7	1/4	825	124	192	
RSG1360	208-230/60/1	197-253	29.4	60	22.1	120	1.7	1/4	830	144	205	

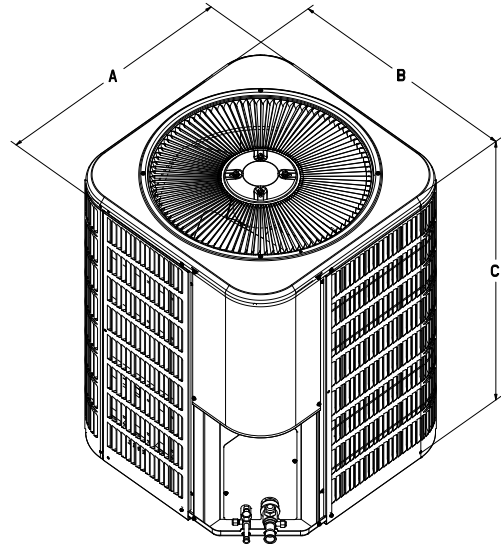
<sup>1</sup> Overcurrent protection device

<sup>2</sup> Factory charge adequate for 15 feet of line set. Adjust per Installation Instructions.

## UNIT DIMENSIONS & SOUND RATINGS

Note: Dimensions listed are unit sizes w/o packaging

Model	Dimensions			Sound Ratings (dBa)
	A - width (in.)	B - depth (in.)	C - height (in.)	
RSG1318	24-1/4	24-1/4	25	74
RSG1324	24-1/4	24-1/4	25	74
RSG1330	24-1/4	24-1/4	29	74
RSG1336	24-1/4	24-1/4	29	74
RSG1342	28-1/4	28-1/4	29	79
RSG1348	28-1/4	28-1/4	33	79



# PERFORMANCE WITH COILS, AIR HANDLERS AND FURNACES

Outdoor Model	Indoor Model	TXV Kit Where Needed	Furnace <sup>1</sup>	Cooling				
	Evap. Coil Air Handlers <sup>1</sup>			SEER	EER	AHRI Capacity <sup>2</sup>	AHRI Reference Numbers	
<b>RSG1318S1M</b>	(C,M)CG18P(A,B,C)3P			13	11	17,600	204093495	
	(C,M)CG1824P(A,B,C)1P+TXV	H4TXV01		13	10.5	17,400	203408172	
	(C,M,V)CG18PA1M			13	11	17,100	202083717	
	(C,M,V)CG18PB1M			13	11	17,100	202083718	
	(C,M,V)CG18PC1M			13	11	17,100	202083719	
	HMG24F1M			13	11	17,600	201925087	
	HMG24X1M			14	11	17,600	201925089	
	HMG24V1M			14	11	18,000	201925088	
	HMG24F1P			13	11	18,000	202833062	
	HMG24X1P			14	12	18,000	202833094	
	HCG24V1P			14	12	18,000	202833077	
	HWCG24T0A			13	10.8	16,800	202887712	
	HWCG24X0A			14	11	16,200	202887749	
	HWCG23T0A			13	10.8	16,800	203420580	
	HWCG23X0A			14	11.7	16,600	203420598	
	(C,M)CG1824PA1P			GUH80C045A3M	14.5	12.2	19,200	204496324
	(C,M)CG1824PA1P+TXV	H4TXV01		GUH80C045A3M	15	12.5	19,200	204496325
	(C,M)CG18PA3P			GUH80C045A3M	14.5	12.2	19,500	204496326
	(C,M)CG18PA3P+TXV	H4TXV01		GUH80C045A3M	15	12.5	19,500	204496327
	(C,M)CG24PA4P			GUH80C045A3M	14.5	12.2	19,600	204496328
	(C,M)CG24PA4P+TXV	H4TXV01		GUH80C045A3M	15	12.5	19,600	204496329
	(C,M,V)CG18PB1M+TXV	4200		GUH95C045B3M	14	10.8	16,200	202467692
	(C,M,V)CG18PB1M			GUH95C045B3M	13.5	10.8	16,200	202467694
	(C,M)CG1824PB1P			GUH92C045B3M	13	11	17,000	204496373
	(C,M)CG18PB3P			GUH92C045B3M	13	11	17,000	204496374
	(C,M)CG24PB4P			GUH92C045B3M	13	11	17,000	204496375
	(C,M)CG1824PB1P			GUH92C070B3M	13	11	17,000	204496376
	(C,M)CG18PB3P			GUH92C070B3M	13	11	17,000	204496377
	(C,M)CG24PB4P			GUH92C070B3M	13	11	17,000	204496378
	(C,M,V)CG18PB1M			GUH95C070B3M	14	11.8	16,200	202467698
	(C,M,V)CG18PB1M+TXV	4200		GUH95C070B3M	14.5	11.8	16,200	202467696
	(C,M)CG1824PB1P			GUH95T045B3M	13	11	17,400	204496288
	(C,M)CG1824PB1P+TXV	H4TXV01		GUH95T045B3M	14	11.7	17,400	204496289
	(C,M)CG18PB3P			GUH95T045B3M	14	12	17,600	204496290
	(C,M)CG18PB3P+TXV	H4TXV01		GUH95T045B3M	14	12	17,600	204496291
	(C,M)CG24PB4P			GUH95T045B3M	14	12.2	17,600	204496292
	(C,M)CG24PB4P+TXV	H4TXV01		GUH95T045B3M	14.5	12.2	17,600	204496293
	(C,M,V)CG18PB1M			GUH95T070B3M	14	11.8	16,200	202467702
	(C,M,V)CG18PB1M+TXV	4200		GUH95T070B3M	14.5	11.8	16,200	202467700
	(C,M)CG1824PB1P			GUH95C045B3M	13	10.5	17,400	203408167
	(C,M)CG1824PB1P			GUH95C070B3M	13	11	17,400	203408169
	(C,M)CG1824PB1P+TXV	H4TXV01		GUH95C070B3M	14	11.7	17,400	203408168
	+(C,M)CG1824PB1P			GUH95T070B3M	13	11	17,400	203408171
	(C,M)CG1824PB1P+TXV	H4TXV01		GUH95T070B3M	14	11.7	17,400	203408170
	(C,M)CG1824PB1P			GUH96C045B3M	13	11	17,400	204525092

Note: <sup>1</sup> A blower time delay relay is required to achieve AHRI rating. This feature is standard on all furnaces and AH products  
<sup>2</sup> Certified in accordance with Unitary Air Conditioner Certification Program, which is based on AHRI Standard 210/240

**PERFORMANCE WITH COILS, AIR HANDLERS AND FURNACES**

Outdoor Model	Indoor Model	TXV Kit Where Needed	Furnace <sup>1</sup>	Cooling				
	Evap. Coil Air Handlers <sup>1</sup>			SEER	EER	AHRI Capacity <sup>2</sup>	AHRI Reference Numbers	
<b>RSG1318S1M</b>	(C,M)CG1824PB1P+TXV	H4TXV01	GUH96C045B3M	14	11.7	17,400	204525093	
	(C,M)CG18PB3P		GUH96C045B3M	14	12	17,600	204525094	
	(C,M)CG18PB3P+TXV	H4TXV01	GUH96C045B3M	14	12	17,600	204708196	
	(C,M)CG24PB4P		GUH96C045B3M	14	12	17,600	204708199	
	(C,M)CG24PB4P+TXV	H4TXV01	GUH96C045B3M	14.5	12	17,600	204708202	
	(C,M)CG1824PB1P		GUH96T045B3M	13	11	17,400	204708190	
	(C,M)CG1824PB1P+TXV	H4TXV01	GUH96T045B3M	14	12	17,400	204708192	
	(C,M)CG18PB3P		GUH96T045B3M	14	12	17,600	204708194	
	(C,M)CG18PB3P+TXV	H4TXV01	GUH96T045B3M	14	12	17,600	204708197	
	(C,M)CG24PB4P		GUH96T045B3M	14	12	17,600	204708200	
	(C,M)CG24PB4P+TXV	H4TXV01	GUH96T045B3M	14.5	12	17,600	204708203	
	(C,M)CG1824PB1P		GUH96T070B3M	13	11	17,400	204708191	
	(C,M)CG1824PB1P+TXV	H4TXV01	GUH96T070B3M	14	12	17,400	204708193	
	(C,M)CG18PB3P		GUH96T070B3M	14	12	17,600	204708195	
	(C,M)CG18PB3P+TXV	H4TXV01	GUH96T070B3M	14	12	17,600	204708198	
	(C,M)CG24PB4P		GUH96T070B3M	14	12	17,600	204708201	
	(C,M)CG24PB4P+TXV	H4TXV01	GUH96T070B3M	14.5	12	17,600	204708204	
	(C,M)CG1824PB1P		GUH97M070B3M	13	11	17,400	204520988	
	(C,M)CG1824PB1P+TXV	H4TXV01	GUH97M070B3M	14	11.7	17,400	204520989	
	(C,M)CG18PB3P		GUH97M070B3M	14	12	17,600	204520990	
<b>RSG1324S1M</b>	(C,M)CG1824P(A,B,C)1P			13	11	22,800	203408211	
	(C,M,V)CG24/30PA1M			13	10.8	21,200	202467718	
	(C,M,V)CG24/30PB1M			13	10.8	21,200	202467718	
	(C,M,V)CG24/30PC1M			13	10.8	21,200	202467718	
	HMG24F1M			13	11	22,800	201925091	
	HCG24V1M			14	11	23,000	201925092	
	HMC30X1M			14	11	22,800	201925093	
	HMG24F1P			13	11	23,000	202833063	
	HMG30F1P			13	11	23,000	202833064	
	HMG24X1P			14	12	23,000	202833069	
	HMG30X1P			13	11	23,000	204118548	
	HCG24V1P			14	12	23,000	202833078	
	HCG30V1P			14	12	23,000	202833079	
	HWCG24T0A			13	10.8	21,000	202887716	
	HWCG24X0A			14	11.5	20,400	202887753	
	HWCG30X0A			14.5	12.3	23,000	202887758	
	HWCG23T0A			13.5	10.8	21,000	203420616	
	HWCG23X0A			14	11.6	21,000	203420634	
	HWCG35X0A			14	11.9	21,600	203420651	
	(C,M)CG1824PA1P			GUH80C045A3M	14	12.2	23,600	204496330
	(C,M)CG1824PA1P+TXV	H4TXV01		GUH80C045A3M	15	12.2	23,400	204496331
	(C,M)CG2430PA3P			GUH80C045A3M	14	12.2	23,800	204496332
	(C,M)CG2430PA3P+TXV	H4TXV01		GUH80C045A3M	15	12.5	23,800	204496333
(C,M)CG24PA4P			GUH80C045A3M	14	12.2	24,000	204496334	

Note: <sup>1</sup> A blower time delay relay is required to achieve AHRI rating. This feature is standard on all furnaces and AH products  
<sup>2</sup> Certified in accordance with Unitary Air Conditioner Certification Program, which is based on AHRI Standard 210/240

**CONTINUED ON NEXT PAGE**

# PERFORMANCE WITH COILS, AIR HANDLERS AND FURNACES

Outdoor Model	Indoor Model	TXV Kit Where Needed	Furnace <sup>1</sup>	Cooling			
	Evap. Coil Air Handlers <sup>1</sup>			SEER	EER	AHRI Capacity <sup>2</sup>	AHRI Reference Numbers
RSG1324S1M	(C,M)CG24PA4P+TXV	H4TXV01	GUH80C045A3M	15	12.5	24,000	204496335
	(C,M)CG30PA5P		GUH80C045A3M	14.5	12.2	24,000	204496336
	(C,M)CG30PA5P+TXV	H4TXV01	GUH80C045A3M	15	12.5	24,000	204496337
	(C,M)CG1824PB1P		GUH92C045B3M	13	10.5	22,600	204496383
	(C,M)CG1824PB1P+TXV	H4TXV01	GUH92C045B3M	14	10.5	22,600	204496384
	(C,M)CG2430PB3P		GUH92C045B3M	14	11	22,800	204496385
	(C,M)CG24PB4P		GUH92C045B3M	14	11	23,000	204496386
	(C,M)CG1824PB1P		GUH92C070B3M	13	10.5	22,600	204496387
	(C,M)CG1824PB1P+TXV	H4TXV01	GUH92C070B3M	14	10.5	22,600	204496388
	(C,M)CG2430PB3P		GUH92C070B3M	14	11	22,800	204496389
	(C,M)CG24PB4P		GUH92C070B3M	14	11	23,000	204496390
	(C,M,V)CG24/30PB1M		GUH95C070B3M	13.5	11.5	20,200	202467708
	(C,M,V)CG24/30PB1M+TXV	4200	GUH95C070B3M	14	11.5	20,200	202467706
	(C,M)CG1824PB1P		GUH95T045B3M	14	12	22,800	204496294
	(C,M)CG2430PB3P		GUH95T045B3M	14	12.2	22,800	204496295
	(C,M)CG2430PB3P+TXV	H4TXV01	GUH95T045B3M	14.5	12.2	22,800	204496296
	(C,M)CG24PB4P		GUH95T045B3M	14	12.2	22,800	204496297
	(C,M)CG24PB4P+TXV	H4TXV01	GUH95T045B3M	14.5	12.2	22,800	204496298
	(C,M)CG30PB5P		GUH95T045B3M	14	12.2	22,800	204496299
	(C,M)CG30PB5P+TXV	H4TXV01	GUH95T045B3M	14.5	12.2	22,800	204496300
	(C,M,V)CG24/30PB1M		GUH95T070B3M	13.5	11.5	20,200	202467712
	(C,M,V)CG24/30PB1M+TXV	4200	GUH95T070B3M	14	11.5	20,200	202467710
	(C,M,V)CG24/30PC1M		GUH95T090C3M	13.5	11.6	20,600	202467716
	(C,M,V)CG24/30PC1M+TXV	4200	GUH95T090C3M	14.5	11.6	20,600	202467714
	(C,M)CG1824PB1P		GUH95C070B3M	13	11	22,800	203408180
	(C,M)CG1824PB1P+TXV	H4TXV01	GUH95C070B3M	14	11.7	22,400	203408179
	(C,M)CG1824PB1P		GUH95T070B3M	14	12	22,800	203408183
	(C,M)CG1824PB1P+TXV	H4TXV01	GUH95T070B3M	14	12	22,800	203408182
	(C,M)CG1824PC1P		GUH95T090C3M	13	11	22,000	203408185
	(C,M)CG1824PC1P+TXV	H4TXV01	GUH95T090C3M	14	11.7	22,000	203408184
	(C,M)CG1824PB1P		GUH96C045B3M	14	12.2	23,200	204525095
	(C,M)CG1824PB1P+TXV	H4TXV01	GUH96C045B3M	14.5	12.2	23,200	204525096
	(C,M)CG2430PB3P		GUH96C045B3M	14	12.2	23,600	204525097
	(C,M)CG2430PB3P+TXV	H4TXV01	GUH96C045B3M	14.5	12.2	23,600	204525098
	(C,M)CG24PB4P		GUH96C045B3M	14	12.2	23,800	204525100
	(C,M)CG24PB4P+TXV	H4TXV01	GUH96C045B3M	15	12.5	23,800	204525101
	(C,M)CG1824PB1P		GUH96C070B3M	14	12.2	23,400	204525102
	(C,M)CG1824PB1P+TXV	H4TXV01	GUH96C070B3M	14.5	12.2	23,400	204525103
	(C,M)CG2430PB3P		GUH96C070B3M	14	12.2	23,800	204525104
	(C,M)CG2430PB3P+TXV	H4TXV01	GUH96C070B3M	15	12.2	23,800	204525105
(C,M)CG24PB4P		GUH96C070B3M	14	12.2	24,000	204525106	
(C,M)CG24PB4P+TXV	H4TXV01	GUH96C070B3M	15	12.5	24,000	204525107	
(C,M)CG1824PB1P		GUH96T045B3M	14	12	23,600	204708205	
(C,M)CG1824PB1P+TXV	H4TXV01	GUH96T045B3M	15	12	23,600	204708207	
(C,M)CG2430PB3P		GUH96T045B3M	14.5	12	23,800	204708209	

Note: <sup>1</sup> A blower time delay relay is required to achieve AHRI rating. This feature is standard on all furnaces and AH products  
<sup>2</sup> Certified in accordance with Unitary Air Conditioner Certification Program, which is based on AHRI Standard 210/240

# PERFORMANCE WITH COILS, AIR HANDLERS AND FURNACES

Outdoor Model	Indoor Model	TXV Kit Where Needed	Furnace <sup>1</sup>	Cooling			
	Evap. Coil Air Handlers <sup>1</sup>			SEER	EER	AHRI Capacity <sup>2</sup>	AHRI Reference Numbers
<b>RSG1324S1M</b>	(C,M)CG2430PB3P+TXV	H4TXV01	GUH96T045B3M	15	13	24,000	204708211
	(C,M)CG24PB4P		GUH96T045B3M	14.5	12	23,800	204708213
	(C,M)CG24PB4P+TXV	H4TXV01	GUH96T045B3M	15	13	24,200	204708215
	(C,M)CG1824PB1P		GUH96T070B3M	14.5	12	23,800	204708206
	(C,M)CG1824PB1P+TXV	H4TXV01	GUH96T070B3M	15	13	23,800	204708208
	(C,M)CG2430PB3P		GUH96T070B3M	14.5	12	24,000	204708210
	(C,M)CG2430PB3P+TXV	H4TXV01	GUH96T070B3M	15	13	24,000	204708212
	(C,M)CG24PB4P		GUH96T070B3M	15	13	24,000	204708214
	(C,M)CG24PB4P+TXV	H4TXV01	GUH96T070B3M	15	13	24,000	204708216
	(C,M)CG1824PC1P		GUH96T090C3M	14.5	12	23,800	204708217
	(C,M)CG1824PC1P+TXV	H4TXV01	GUH96T090C3M	15	12	23,800	204708218
	(C,M)CG2430PC3P		GUH96T090C3M	14.5	12	24,000	204708219
	(C,M)CG2430PC3P+TXV	H4TXV01	GUH96T090C3M	15	12	24,000	204708220
	(C,M)CG24PC4P		GUH96T090C3M	15	12	24,000	204708221
	(C,M)CG24PC4P+TXV	H4TXV01	GUH96T090C3M	15	12	24,000	204708222
	(C,M)CG1824PB1P		GUH97M070B3M	14	12.2	23,400	204520991
	(C,M)CG1824PB1P+TXV	H4TXV01	GUH97M070B3M	15	12.2	23,400	204520992
	(C,M)CG2430PB3P		GUH97M070B3M	14	12.2	23,800	204520993
	(C,M)CG2430PB3P+TXV	H4TXV01	GUH97M070B3M	15	12.5	23,800	204520994
	(C,M)CG24PB4P		GUH97M070B3M	14	12.2	24,000	204520995
	(C,M)CG24PB4P+TXV	H4TXV01	GUH97M070B3M	15	12.5	24,000	204520996
	(C,M)CG1824PC1P		GUH97M090C3M	13	11	22,000	204520997
	(C,M)CG1824PC1P+TXV	H4TXV01	GUH97M090C3M	14	11.7	22,000	204520998
	(C,M)CG2430PC3P		GUH97M090C3M	13	11	22,400	204520999
(C,M)CG2430PC3P+TXV	H4TXV01	GUH97M090C3M	14	11.7	22,400	204521000	
(C,M)CG24PC4P		GUH97M090C3M	13	11	22,600	204521001	
(C,M)CG24PC4P+TXV	H4TXV01	GUH97M090C3M	14	12	22,600	204521002	
<b>RSG1330S1M</b>	(C,M)CG2430P(A,B,C)3P			13	11	28,000	204093496
	(C,M)CG30P(A,B,C)2P+TXV	H4TXV01		13	10.5	27,600	203408307
	(C,M,V)CG24/30PA1M			13	10.5	26,000	202467710
	(C,M,V)CG24/30PB1M			13	10.5	26,000	202467710
	(C,M,V)CG24/30PC1M			13	10.5	26,000	202467710
	HMG30F1M			13	11	28,000	201925095
	HMG30X1M			14	11	28,000	201925096
	HCG36V1M			14	11	29,000	201925097
	HMG36F1P			13	11	28,000	202833065
	HMG30X1P			14	11	28,000	202833070
	HMG36X1P			14	11	28,000	202833071
	HCG30V1P			14	11	28,000	202833080
	HCG36V1P			14	12	28,000	202833081
	HWCG30X0A			14.5	11.3	28,200	202887761
	HWCG35T0A			13.5	11	26,800	203420668
	HWCG35X0A			14	10.8	26,000	203420686
HWCG36T0A			13.5	10.9	26,200	202887720	

Note: <sup>1</sup> A blower time delay relay is required to achieve AHRI rating. This feature is standard on all furnaces and AH products  
<sup>2</sup> Certified in accordance with Unitary Air Conditioner Certification Program, which is based on AHRI Standard 210/240

**CONTINUED ON NEXT PAGE**

## PERFORMANCE WITH COILS, AIR HANDLERS AND FURNACES

Outdoor Model	Indoor Model	TXV Kit Where Needed	Furnace <sup>1</sup>	Cooling			
	Evap. Coil Air Handlers <sup>1</sup>			SEER	EER	AHRI Capacity <sup>2</sup>	AHRI Reference Numbers
RSG1330S1M	(C,M)CG30PA2P		GUH80C045A3M	13	11	28,800	204496338
	(C,M)CG30PA2P + TXV	H4TXV01	GUH80C045A3M	14	12	28,800	204496339
	(C,M)CG2430PA3P		GUH80C045A3M	14	12	28,800	204496340
	(C,M)CG2430PA3P + TXV	H4TXV01	GUH80C045A3M	14.5	12.2	29,400	204496341
	(C,M)CG30PA5P		GUH80C045A3M	14	12.2	29,600	204496342
	(C,M)CG30PA5P + TXV	H4TXV01	GUH80C045A3M	15	12.2	29,600	204496343
	(C,M,V)CG24/30PB1M		GUH95C045B3M	13	10.5	24,600	202467722
	(C,M,V)CG24/30PB1M + TXV	4200	GUH95C045B3M	13.5	10.5	24,600	202467720
	(C,M)CG30PB2P		GUH92C045B3M	13	10.5	27,600	204496395
	(C,M)CG2430PB3P		GUH92C045B3M	13	11	29,000	204496396
	(C,M)CG3036PB4P		GUH92C045B3M	13	11	29,000	204496397
	(C,M)CG30PB5P		GUH92C045B3M	13	11	29,000	204496398
	(C,M)CG30PB5P + TXV	H4TXV01	GUH92C045B3M	14	11	29,000	204496399
	(C,M)CG30PB2P		GUH92C070B3M	13	10.5	27,600	204496400
	(C,M)CG2430PB3P		GUH92C070B3M	13	11	29,000	204496401
	(C,M)CG3036PB4P		GUH92C070B3M	13	11	29,000	204496402
	(C,M)CG30PB5P		GUH92C070B3M	13	11	29,000	204496403
	(C,M)CG30PB5P + TXV	H4TXV01	GUH92C070B3M	14	11	29,000	204496404
	(C,M,V)CG24/30PB1M		GUH95C070B3M	13	10.5	24,600	202467726
	(C,M,V)CG24/30PB1M + TXV	4200	GUH95C070B3M	13.5	10.5	24,600	202467724
	(C,M)CG2430PB3P		GUH95T045B3M	13	11	28,000	204496301
	(C,M)CG2430PB3P + TXV	H4TXV01	GUH95T045B3M	14	11	28,000	204496302
	(C,M)CG3036PB4P		GUH95T045B3M	13	11	28,000	204496303
	(C,M)CG3036PB4P + TXV	H4TXV01	GUH95T045B3M	14	11.5	28,000	204496304
	(C,M)CG30PB5P		GUH95T045B3M	14	11.5	28,000	204496305
	(C,M,V)CG24/30PB1M		GUH95T070B3M	13	10.5	24,600	202467734
	(C,M,V)CG24/30PB1M + TXV	4200	GUH95T070B3M	13.5	10.5	24,600	202467732
	(C,M,V)CG24/30PB1M		GUH95C090C4M	13	10.6	25,200	202467730
	(C,M,V)CG24/30PB1M + TXV	4200	GUH95C090C4M	14	10.6	25,200	202467728
	(C,M,V)CG24/30PB1M		GUH95T090C3M	13	10.6	25,200	202467739
	(C,M,V)CG24/30PB1M + TXV	4200	GUH95C090C3M	14	10.6	25,200	202467736
	(C,M)CG2430PB3P + TXV	H4TXV01	GUH95C045B3M	14	11	28,000	203408261
	(C,M)CG30PB2P		GUH95C045B3M	13	10.5	27,600	203408260
	(C,M)CG2430PB3P + TXV	H4TXV01	GUH95C070B3M	14	11	28,000	203408263
	(C,M)CG30PB2P		GUH95C070B3M	13	10.5	27,600	203408262
	(C,M)CG2430PC3P		GUH95C090C4M	13	11	28,000	203408264
	(C,M)CG30PC5P + TXV	H4TXV01	GUH95C090C4M	14	11	28,000	203408265
	(C,M)CG2430PB3P + TXV	H4TXV01	GUH95T070B3M	14	11	28,000	203408267
	(C,M)CG30PB2P		GUH95T070B3M	13	10.5	27,600	203408266
	(C,M)CG2430PC3P		GUH95T090C3M	13	11	28,000	203408268
(C,M)CG30PC5P + TXV	H4TXV01	GUH95T090C3M	14	11	28,000	203408269	
(C,M)CG2430PB3P		GUH96C045B3M	13	11	29,000	204525109	
(C,M)CG2430PB3P + TXV	H4TXV01	GUH96C045B3M	14	11	29,000	204525110	
(C,M)CG3036PB4P		GUH96C045B3M	13	11	29,400	204525111	

Note: <sup>1</sup> A blower time delay relay is required to achieve AHRI rating. This feature is standard on all furnaces and AH products  
<sup>2</sup> Certified in accordance with Unitary Air Conditioner Certification Program, which is based on AHRI Standard 210/240

# PERFORMANCE WITH COILS, AIR HANDLERS AND FURNACES

Outdoor Model	Indoor Model	TXV Kit Where Needed	Furnace <sup>1</sup>	Cooling			
	Evap. Coil Air Handlers <sup>1</sup>			SEER	EER	AHRI Capacity <sup>2</sup>	AHRI Reference Numbers
RSG1330S1M	(C,M)CG3036PB4P+TXV	H4TXV01	GUH96C045B3M	14	11.5	29,400	204525112
	(C,M)CG30PB2P		GUH96C045B3M	13	10.5	27,800	204525108
	(C,M)CG30PB5P		GUH96C045B3M	13	11	29,400	204525113
	(C,M)CG30PB2P+TXV	H4TXV01	GUH96C045B3M	14	12	28,000	204708225
	(C,M)CG30PB2P+TXV	H4TXV01	GUH96C070B3M	13	11	27,800	204708226
	(C,M)CG30PB5P+TXV	H4TXV01	GUH96C045B3M	14	11.7	29,400	204525114
	(C,M)CG2430PB3P		GUH96C070B3M	13	11	29,000	204525116
	(C,M)CG2430PB3P+TXV	H4TXV01	GUH96C070B3M	14	11.7	29,000	204525117
	(C,M)CG3036PB4P		GUH96C070B3M	13	11	29,400	204525118
	(C,M)CG3036PB4P+TXV	H4TXV01	GUH96C070B3M	14	12	29,400	204525119
	(C,M)CG30PB2P		GUH96C070B3M	13	11	27,800	204525115
	(C,M)CG30PB5P		GUH96C070B3M	13	11	29,400	204525120
	(C,M)CG30PB5P+TXV	H4TXV01	GUH96C070B3M	14	12.2	29,400	204525121
	(C,M)CG2430PC3P		GUH96C090C4M	13	11	29,000	204525124
	(C,M)CG2430PC3P+TXV	H4TXV01	GUH96C090C4M	14.5	11.7	29,000	204525125
	(C,M)CG3036PC4P		GUH96C090C4M	13	11	29,400	204525126
	(C,M)CG3036PC4P+TXV	H4TXV01	GUH96C090C4M	14.5	12	29,400	204525127
	(C,M)CG30PC2P		GUH96C090C4M	13	11	27,800	204525122
	(C,M)CG30PC2P+TXV	H4TXV01	GUH96C090C4M	14	11	27,800	204525123
	(C,M)CG30PC5P		GUH96C090C4M	13	11	29,400	204525128
	(C,M)CG30PC5P+TXV	H4TXV01	GUH96C090C4M	14.5	12.2	29,400	204525129
	(C,M)CG30PB2P		GUH96T045B3M	13	11	28,200	204708223
	(C,M)CG30PB2P+TXV	H4TXV01	GUH96T045B3M	14	12	28,200	204708227
	(C,M)CG2430PB3P		GUH96T045B3M	14	12	28,800	204708229
	(C,M)CG2430PB3P+TXV	H4TXV01	GUH96T045B3M	14.5	12	29,200	204708231
	(C,M)CG3036PB4P		GUH96T045B3M	14	12	29,200	204708233
	(C,M)CG3036PB4P+TXV	H4TXV01	GUH96T045B3M	14.5	12	29,200	204708235
	(C,M)CG30PB5P		GUH96T045B3M	14	12	29,200	204708237
	(C,M)CG30PB5P+TXV	H4TXV01	GUH96T045B3M	15	12	29,400	204708239
	(C,M)CG30PB2P		GUH96T070B3M	13	11	28,200	204708224
	(C,M)CG30PB2P+TXV	H4TXV01	GUH96T070B3M	14.5	12	27,800	204708228
	(C,M)CG2430PB3P		GUH96T070B3M	14	12	29,000	204708230
	(C,M)CG2430PB3P+TXV	H4TXV01	GUH96T070B3M	14.5	12	29,200	204708232
	(C,M)CG3036PB4P		GUH96T070B3M	14	12	29,400	204708234
	(C,M)CG3036PB4P+TXV	H4TXV01	GUH96T070B3M	15	12	29,400	204708236
	(C,M)CG30PB5P		GUH96T070B3M	14	12	29,800	204708238
	(C,M)CG30PB5P+TXV	H4TXV01	GUH96T070B3M	15	13	29,800	204708240
	(C,M)CG30PC2P		GUH96T090C3M	14	12	28,400	204708241
	(C,M)CG30PC2P+TXV	H4TXV01	GUH96T090C3M	14.5	12	28,400	204708242
	(C,M)CG2430PC3P		GUH96T090C3M	14	12	29,400	204708243
	(C,M)CG2430PC3P+TXV	H4TXV01	GUH96T090C3M	15	13	29,400	204708244
	(C,M)CG3036PC4P		GUH96T090C3M	14.5	12	29,400	204708245
(C,M)CG3036PC4P+TXV	H4TXV01	GUH96T090C3M	15	13	29,400	204708246	
(C,M)CG30PC5P		GUH96T090C3M	14.5	12	29,400	204708247	

Note: <sup>1</sup> A blower time delay relay is required to achieve AHRI rating. This feature is standard on all furnaces and AH products  
<sup>2</sup> Certified in accordance with Unitary Air Conditioner Certification Program, which is based on AHRI Standard 210/240

CONTINUED ON NEXT PAGE



# PERFORMANCE WITH COILS, AIR HANDLERS AND FURNACES

Outdoor Model	Indoor Model	TXV Kit Where Needed	Furnace <sup>1</sup>	Cooling			
	Evap. Coil Air Handlers <sup>1</sup>			SEER	EER	AHRI Capacity <sup>2</sup>	AHRI Reference Numbers
<b>RSG1330S1M</b>	(C,M)CG30PC5P+TXV	H4TXV01	GUH96T090C3M	15	13	29,400	204708248
	(C,M)CG30PB2P		GUH97M070B3M	13	11	27,800	204521003
	(C,M)CG30PB2P+TXV	H4TXV01	GUH97M070B3M	14	11.7	27,800	204521004
	(C,M)CG2430PB3P		GUH97M070B3M	14	12.2	29,000	204521005
	(C,M)CG2430PB3P+TXV	H4TXV01	GUH97M070B3M	14.5	12.2	29,000	204521006
	(C,M)CG3036PB4P		GUH97M070B3M	14	12.2	29,400	204521007
	(C,M)CG3036PB4P+TXV	H4TXV01	GUH97M070B3M	15	12.2	29,400	204521008
	(C,M)CG30PB5P		GUH97M070B3M	14	12.2	29,800	204521009
	(C,M)CG30PB5P+TXV	H4TXV01	GUH97M070B3M	15	12.5	29,800	204521010
	(C,M)CG30PC2P		GUH97M090C3M	13	11	27,800	204521011
	(C,M)CG30PC2P+TXV	H4TXV01	GUH97M090C3M	14.5	12	27,800	204521012
	(C,M)CG2430PC3P		GUH97M090C3M	14	12.2	29,000	204521013
	(C,M)CG2430PC3P+TXV	H4TXV01	GUH97M090C3M	15	12.5	29,000	204521014
	(C,M)CG3036PC4P		GUH97M090C3M	14	12.2	29,200	204521015
	(C,M)CG3036PC4P+TXV	H4TXV01	GUH97M090C3M	15	12.5	29,200	204521016
	(C,M)CG30PC5P		GUH97M090C3M	14	12.2	29,200	204521017
	(C,M)CG30PC5P+TXV	H4TXV01	GUH97M090C3M	15	12.5	29,200	204521018
<b>RSG1336S1M</b>	(C,M)CG36P(A,B,C)7P			13	10.5	33,800	204093497
	(C,M)CG3036P(A,B,C)4P+TXV	H4TXV02		13	10	33,000	203408308
	(C,M,V)CG36PA1M			13	10.4	31,800	202467762
	(C,M,V)CG36PB1M			13	10.4	31,800	202467762
	(C,M,V)CG36PC1M			13	10.4	31,800	202467762
	HMG36F1M			13	10.5	34,000	201925099
	HMG36X1M			14	11	34,000	201925100
	HCG36V1M			13.5	11	34,000	201925101
	HMG42F1P			13	10.5	34,200	202833066
	HMG36X1P			13	11	35,000	202833072
	HCG36V1P			13	11	34,200	202833082
	HCG42V1P			13	11	35,000	202833114
	HWCG36T0A			13.5	10.3	31,600	202887724
	HWCG42X0A			14.5	11.2	33,800	202887764
	HWCG35T0A			13.5	10.3	31,400	203420704
	HWCG35X0A			14	10.8	31,400	203420721
	HWCG47X0A			14.5	11	33,000	203420739
	(C,M)CG3036PA4P		GUH80C045A3M	13	10.5	34,600	204496344
	(C,M)CG36PA7P		GUH80C045A3M	13	11	35,400	204496345
	(C,M)CG36PA7P+TXV	H4TXV02	GUH80C045A3M	14	11	35,400	204496346
	(C,M)CG3036PB4P		GUH92C045B3M	13	10	33,000	204496405
	(C,M)CG36PB7P		GUH92C045B3M	13	10.5	33,800	204496406
	(C,M)CG3036PB4P		GUH92C070B3M	13	10	33,000	204496407
	(C,M)CG36PB7P		GUH92C070B3M	13	10.5	33,800	204496408
	(C,M)CG3036PC4P+TXV	H4TXV02	GUH92C090C3M	13	10	32,600	204496409
	(C,M)CG36PC7P		GUH92C090C3M	13	10	33,400	204496410
	(C,M)CG3036PC4P		GUH92C110C4M	13	10	32,600	204496411
	(C,M)CG36PC7P		GUH92C110C4M	13	10	33,400	204496412

Note: <sup>1</sup> A blower time delay relay is required to achieve AHRI rating. This feature is standard on all furnaces and AH products  
<sup>2</sup> Certified in accordance with Unitary Air Conditioner Certification Program, which is based on AHRI Standard 210/240

# PERFORMANCE WITH COILS, AIR HANDLERS AND FURNACES

Outdoor Model	Indoor Model	TXV Kit Where Needed	Furnace <sup>1</sup>	Cooling			
	Evap. Coil Air Handlers <sup>1</sup>			SEER	EER	AHRI Capacity <sup>2</sup>	AHRI Reference Numbers
RSG1336S1M	(C,M)CG36PC7P		GUH92C110C5M	13	10	33,400	204496413
	(C,M,V)CG36PC1M		GUH95T090C3M	13.5	10.8	31,800	202467752
	(C,M,V)CG36PC1M+TXV	4200	GUH95T090C3M	14	10.8	31,800	202467750
	(C,M,V)CG36PC1M		GUH95C090C4M	13.5	10.8	31,800	202467742
	(C,M,V)CG36PC1M+TXV	4200	GUH95C090C4M	14	10.8	31,800	202467744
	(C,M,V)CG36PC1M		GUH95T090C5M	13.5	10.8	31,800	202467757
	(C,M,V)CG36PC1M+TXV	4200	GUH95T090C5M	14	10.8	31,800	202467755
	(C,M,V)CG36PC1M		GUH95T110C5M	13.5	10.8	31,800	202467760
	(C,M,V)CG36PC1M+TXV	4200	GUH95T110C5M	14	10.8	31,800	202467758
	(C,M)CG3036PC4P		GUH95C090C4M	13	10.5	32,800	203408270
	(C,M)CG36PC7P+TXV	H4TXV02	GUH95C090C4M	13	11	33,800	203408186
	(C,M)CG3036PC4P		GUH95C110C5M	13	10.5	32,800	203408271
	(C,M)CG36PC7P+TXV	H4TXV02	GUH95C110C5M	13	11	33,800	203408187
	(C,M)CG3036PC4P		GUH95T090C3M	13	10.5	32,800	203408272
	(C,M)CG36PC7P+TXV	H4TXV02	GUH95T090C3M	13	11	33,800	203408188
	(C,M)CG3036PC4P		GUH95T090C5M	13	10.5	32,800	203408273
	(C,M)CG36PC7P+TXV	H4TXV02	GUH95T090C5M	13	11	33,800	203408189
	(C,M)CG3036PC4P		GUH95T110C5M	13	10.5	32,800	203408274
	(C,M)CG36PC7P+TXV	H4TXV02	GUH95T110C5M	13	11	33,800	203408190
	(C,M)CG36PB7P+TXV	H4TXV02	GUH96C045B3M	13	11	35,000	204525130
	(C,M)CG3036PB4P		GUH96C070B3M	13	10.5	34,800	204525131
	(C,M)CG36PB7P		GUH96C070B3M	13	11	35,200	204525132
	(C,M)CG36PB7P+TXV	H4TXV02	GUH96C070B3M	14	11	35,200	204525133
	(C,M)CG3036PC4P		GUH96C090C4M	13	11	34,600	204525134
	(C,M)CG36PC7P		GUH96C090C4M	13	11	35,400	204525135
	(C,M)CG36PC7P+TXV	H4TXV02	GUH96C090C4M	14	11.5	34,600	204525136
	(C,M)CG3036PC4P		GUH96C110C5M	13	10.5	32,800	204525137
	(C,M)CG36PC7P		GUH96C110C5M	13	11	35,600	204525138
	(C,M)CG36PC7P+TXV	H4TXV02	GUH96C110C5M	14	11.7	35,200	204525139
	(C,M)CG3036PB4P+TXV	H4TXV02	GUH96C070B3M	13	11	34,800	204708251
	(C,M)CG3036PC4P+TXV	H4TXV02	GUH96C090C4M	13	11	34,600	204708260
	(C,M)CG3036PC4P+TXV	H4TXV02	GUH96C110C5M	13	11	33,600	204708261
	(C,M)CG3036PB4P		GUH96T045B3M	13	11	34,200	204708249
	(C,M)CG36PB7P		GUH96T045B3M	13	11	35,000	204708253
	(C,M)CG36PB7P+TXV	H4TXV02	GUH96T045B3M	14	11	35,000	204708255
	(C,M)CG3036PB4P		GUH96T070B3M	13	11	34,400	204708250
	(C,M)CG3036PB4P+TXV	H4TXV02	GUH96T070B3M	13	11	34,400	204708252
	(C,M)CG36PB7P		GUH96T070B3M	13	11	35,200	204708254
	(C,M)CG36PB7P+TXV	H4TXV02	GUH96T070B3M	14	11	35,200	204708256
	(C,M)CG3036PC4P		GUH96T090C3M	13	11	34,800	204708257
(C,M)CG3036PC4P+TXV	H4TXV02	GUH96T090C3M	14	11	34,800	204708262	
(C,M)CG36PC7P		GUH96T090C3M	13	11	35,600	204708265	
(C,M)CG36PC7P+TXV	H4TXV02	GUH96T090C3M	14	12	34,600	204708268	
(C,M)CG3036PC4P		GUH96T090C5M	13	11	33,000	204708258	
(C,M)CG3036PC4P+TXV	H4TXV02	GUH96T090C5M	13	11	33,600	204708263	

Note: <sup>1</sup> A blower time delay relay is required to achieve AHRI rating. This feature is standard on all furnaces and AH products  
<sup>2</sup> Certified in accordance with Unitary Air Conditioner Certification Program, which is based on AHRI Standard 210/240

## PERFORMANCE WITH COILS, AIR HANDLERS AND FURNACES

Outdoor Model	Indoor Model	TXV Kit Where Needed	Furnace <sup>1</sup>	Cooling				
	Evap. Coil Air Handlers <sup>1</sup>			SEER	EER	AHRI Capacity <sup>2</sup>	AHRI Reference Numbers	
<b>RSG1336S1M</b>	(C,M)CG36PC7P		GUH96T090C5M	13	11	34,000	204708266	
	(C,M)CG3036PC4P		GUH96T110C5M	13	11	33,000	204708259	
	(C,M)CG3036PC4P + TXV	H4TXV02	GUH96T110C5M	13	11	33,600	204708264	
	(C,M)CG36PC7P		GUH96T110C5M	13	11	34,000	204708267	
	(C,M)CG3036PB4P		GUH97M070B3M	13	10.5	34,200	204521019	
	(C,M)CG36PB7P		GUH97M070B3M	13	10.5	35,000	204521020	
	(C,M)CG3036PC4P		GUH97M090C3M	13	10.5	34,400	204521021	
	(C,M)CG36PC7P		GUH97M090C3M	13	11	33,800	204521022	
	(C,M)CG3036PC4P		GUH97M090C4M	13	10.5	34,400	204521023	
	(C,M)CG36PC7P		GUH97M090C4M	13	11	33,800	204521024	
	(C,M)CG3036PC4P		GUH97M090C5M	13	10.5	33,000	204521025	
	(C,M)CG36PC7P		GUH97M090C5M	13	11	33,800	204521026	
	(C,M)CG3036PC4P		GUH97M110C5M	13	10.5	33,000	204521027	
	(C,M)CG36PC7P		GUH97M110C5M	13	11	35,600	204521028	
	(C,M)CG36PC7P + TXV	H4TXV02	GUH97M110C5M	14	11.7	35,600	204521029	
	<b>RSG1342S1M</b>	(C,M)CG4248P(B,C,D)8P			13	10.5	40,000	204093498
(C,M)CG42P(B,C,D)6P + TXV		H4TXV02		13	10.5	39,000	203408212	
(C,M,V)CG42PB1M				13	10.1	34,600	202467774	
(C,M,V)CG42PC1M				13	10.1	34,600	202467774	
(C,M,V)CG42PD1M				13	10.1	34,600	202467774	
HMG42F1M				13	11	40,000	201925103	
HMG42X1M				14	11	40,000	201925104	
HMG42V1M				14	11	40,000	201925105	
HMG42X1P				13	11	42,000	202833073	
HCG42V1P				13	11	42,000	202833083	
HCG48V1P				14	12	42,000	202833084	
HWCG42X0A				14.5	11	39,000	202887768	
HWCG48T0A				13	10.7	36,600	202887728	
HWCG48X0A				14.5	11	39,000	202887772	
HWCG47T0A				13.5	11	38,500	203420756	
HWCG47X0A				14	10.9	38,000	203420774	
(C,M)CG4248PC8P				GUH92C090C3M	13	11	42,000	204496414
(C,M)CG42PC6P				GUH92C090C3M	13	10.5	41,500	204496415
(C,M)CG4248PCBP				GUH92C090C3M	13	11	42,000	204496416
(C,M)CG4248PCBP + TXV		H4TXV02		GUH92C090C3M	14	11.5	42,000	204496417
(C,M)CG4248PC8P				GUH92C110C4M	13	11	42,000	204496418
(C,M)CG42PC6P				GUH92C110C4M	13	10.5	41,500	204496419
(C,M)CG4248PCBP				GUH92C110C4M	13	11	42,000	204496420
(C,M)CG4248PCBP + TXV		H4TXV02		GUH92C110C4M	14	11.5	42,000	204496421
(C,M)CG4248PC8P				GUH92C110C5M	13	11	42,000	204496422
(C,M)CG42PC6P				GUH92C110C5M	13	10.5	41,500	204496423
(C,M)CG4248PCBP				GUH92C110C5M	13	11	42,000	204496424
(C,M)CG4248PCBP + TXV		H4TXV02		GUH92C110C5M	14	11.5	42,000	204496425
(C,M,V)CG42PC1M				GUH95T090C5M	13	10.4	34,600	202467768
(C,M,V)CG42PC1M + TXV		4202		GUH95T090C5M	13.5	10.4	34,600	202467766

Note: <sup>1</sup> A blower time delay relay is required to achieve AHRI rating. This feature is standard on all furnaces and AH products  
<sup>2</sup> Certified in accordance with Unitary Air Conditioner Certification Program, which is based on AHRI Standard 210/240

Outdoor Model	Indoor Model	TXV Kit Where Needed	Furnace <sup>1</sup>	Cooling			
	Evap. Coil Air Handlers <sup>1</sup>			SEER	EER	AHRI Capacity <sup>2</sup>	AHRI Reference Numbers
RSG1342S1M	(C,M,V)CG42PC1M + TXV	4202	GUH95C110C5M	13.5	10.4	34,600	202467764
	(C,M,V)CG42PC1M		GUH95T110C5M	13	10.4	34,600	202467772
	(C,M,V)CG42PC1M + TXV	4202	GUH95T110C5M	13.5	10.4	34,600	202467770
	(C,M)CG42PC6P		GUH95C110C5M	13	10.5	39,000	203408191
	(C,M)CG42PC6P		GUH95T090C5M	13	10.5	39,500	203408192
	(C,M)CG42PC6P		GUH95T110C5M	13	10.5	39,500	203408193
	(C,M)CG4248PC8P		GUH96C090C4M	13	11	41,500	204525140
	(C,M)CG4248PC8P + TXV	H4TXV02	GUH96C090C4M	14	11.5	41,500	204525141
	(C,M)CG4248PCBP		GUH96C090C4M	13	11	42,000	204525143
	(C,M)CG4248PCBP + TXV	H4TXV02	GUH96C090C4M	14	12	41,500	204525144
	(C,M)CG42PC6P		GUH96C090C4M	13	11	40,500	204525142
	(C,M)CG4248PC8P		GUH96C110C5M	13	11	42,000	204525145
	(C,M)CG4248PC8P + TXV	H4TXV02	GUH96C110C5M	14	11.5	42,000	204525146
	(C,M)CG4248PCBP		GUH96C110C5M	13	11	42,500	204525148
	(C,M)CG4248PCBP + TXV	H4TXV02	GUH96C110C5M	14	12	42,000	204525149
	(C,M)CG42PC6P		GUH96C110C5M	13	11	41,000	204525147
	(C,M)CG4248PB8P + TXV	H4TXV02	GUH96T070B3M	13	11	41500	204708269
	(C,M)CG4248PC8P		GUH96T090C3M	13	11	40000	204708270
	(C,M)CG42PC6P + TXV	H4TXV02	GUH96T090C3M	13	11	39500	204708277
	(C,M)CG4248PCBP		GUH96T090C3M	13	11	41500	204708280
	(C,M)CG4248PCBP + TXV	H4TXV02	GUH96T090C3M	14	12	41500	204708283
	(C,M)CG4248PC8P		GUH96T090C5M	13	11	42000	204708271
	(C,M)CG4248PC8P + TXV	H4TXV02	GUH96T090C5M	14	12	42000	204708273
	(C,M)CG42PC6P		GUH96T090C5M	13	11	41500	204708275
	(C,M)CG42PC6P + TXV	H4TXV02	GUH96T090C5M	14	11	39500	204708278
	(C,M)CG4248PCBP		GUH96T090C5M	13	11	42000	204708281
	(C,M)CG4248PCBP + TXV	H4TXV02	GUH96T090C5M	14.5	12	41500	204708284
	(C,M)CG4248PC8P		GUH96T110C5M	13	11	42000	204708272
	(C,M)CG4248PC8P + TXV	H4TXV02	GUH96T110C5M	14	12	42000	204708274
	(C,M)CG42PC6P		GUH96T110C5M	13	11	41000	204708276
	(C,M)CG42PC6P + TXV	H4TXV02	GUH96T110C5M	14	11	39500	204708279
	(C,M)CG4248PCBP		GUH96T110C5M	13	11	42000	204708282
	(C,M)CG4248PCBP + TXV	H4TXV02	GUH96T110C5M	14.5	12	41500	204708285
	(C,M)CG4248PC8P		GUH97M090C4M	13	11	41,500	204521030
	(C,M)CG4248PC8P + TXV	H4TXV02	GUH97M090C4M	14	11.5	41,500	204521031
	(C,M)CG42PC6P		GUH97M090C4M	13	11	40,500	204521032
	(C,M)CG4248PCBP		GUH97M090C4M	13	11	41,500	204521033
	(C,M)CG4248PCBP + TXV	H4TXV02	GUH97M090C4M	14	12	41,500	204521034
	(C,M)CG4248PC8P		GUH97M090C5M	13	11	41,500	204521035
	(C,M)CG4248PC8P + TXV	H4TXV02	GUH97M090C5M	14	11.5	41,500	204521036
(C,M)CG42PC6P		GUH97M090C5M	13	11	40,500	204521037	
(C,M)CG4248PCBP		GUH97M090C5M	13	11	41,500	204521038	
(C,M)CG4248PCBP + TXV	H4TXV02	GUH97M090C5M	14	12	41,500	204521039	
(C,M)CG4248PC8P		GUH97M110C5M	13	11	41,500	204521040	
(C,M)CG4248PC8P + TXV	H4TXV02	GUH97M110C5M	14	11.5	41,500	204521041	

Note: <sup>1</sup> A blower time delay relay is required to achieve AHRI rating. This feature is standard on all furnaces and AH products  
<sup>2</sup> Certified in accordance with Unitary Air Conditioner Certification Program, which is based on AHRI Standard 210/240

Outdoor Model	Indoor Model	TXV Kit Where Needed	Furnace <sup>1</sup>	Cooling			
	Evap. Coil Air Handlers <sup>1</sup>			SEER	EER	AHRI Capacity <sup>2</sup>	AHRI Reference Numbers
RSG1342S1M	(C,M)CG42PC6P		GUH97M110C5M	13	11	40,500	204521042
	(C,M)CG4248PCBP		GUH97M110C5M	13	11	41,500	204521043
	(C,M)CG4248PCBP + TXV	H4TXV02	GUH97M110C5M	14	12	41,500	204521044
RSG1348S1M	(C,M)CG4248P(C,D)BP			13	11	47,000	204093499
	(C,M)CG4248P(B,C,D)8P + TXV	H4TXV02		13	10.5	45,500	203408310
	(C,M,V)CG48PB1M			13	10.8	43,500	202467776
	(C,M,V)CG48PC1M			13	10.8	43,500	202467776
	(C,M,V)CG48PD1M			13	10.8	43,500	202467776
	HMG48F1M			13	11	47,000	201925107
	HMG48X1M			14	11	47,000	201925108
	HCG48V1M			14	11	47,000	201925109
	HMG48X1P			13	11	48,000	204118549
	HCG48V1P			13	11	48,000	204118550
	HWCG48T0A			13	10	42,500	202887732
	HWCG48X0A			14	10.9	44,500	202887776
	HWCG60T0A			13	10.7	43,000	202887736
	HWCG60X0A			14	10.9	44,500	202887780
	HWCG47T0A			13.5	10.8	43,500	203420792
	HWCG47X0A			14	10.8	43,500	203420810
	(C,M)CG48PB9P + TXV	H4TXV02	GUH80C090B4M	13	11	48,000	204623501
	(C,M)CG4248PCBP		GUH80C090C5M	14	11.7	49,500	204623503
	(C,M)CG48PC9P		GUH80C090C5M	13	11	48,500	204623502
	(C,M)CG60PCAP + TXV	H4TXV02	GUH80C090C5M	14	11.7	50,000	204623504
	(C,M)CG4248PCBP		GUH80C110C5M	14	12.2	48,000	204623506
	(C,M)CG48PC9P		GUH80C110C5M	13	11	48,500	204623505
	(C,M)CG60PCAP + TXV	H4TXV02	GUH80C110C5M	14	12.2	48,000	204623507
	(C,M)CG4248PDBP		GUH80C135D5M	14	11.7	49,500	204623509
	(C,M)CG48PD9P		GUH80C135D5M	13	11	48,500	204623508
	(C,M)CG60PDAP + TXV	H4TXV02	GUH80C135D5M	14	11.7	49,500	204623510
	(C,M)CG4248PC8P		GUH92C090C3M	13	11	48,000	204496426
	(C,M)CG48PC9P		GUH92C090C3M	13	11	48,000	204496427
	(C,M)CG48PC9P + TXV	H4TXV02	GUH92C090C3M	14	11	48,000	204496428
	(C,M)CG48PCCP		GUH92C090C3M	13	11	48,000	204496429
	(C,M)CG48PCCP + TXV	H4TXV02	GUH92C090C3M	14	11.5	48,000	204496430
	(C,M)CG4248PCBP		GUH92C090C3M	13	11	48,000	204496431
	(C,M)CG4248PCBP + TXV	H4TXV02	GUH92C090C3M	14	11.5	48,000	204496432
	(C,M)CG4248PC8P		GUH92C110C4M	13	11	48,000	204496433
	(C,M)CG48PC9P		GUH92C110C4M	13	11	48,000	204496434
	(C,M)CG48PC9P + TXV	H4TXV02	GUH92C110C4M	14	11	48,000	204496435
	(C,M)CG48PCCP		GUH92C110C4M	13	11	48,000	204496436
	(C,M)CG48PCCP + TXV	H4TXV02	GUH92C110C4M	14	11.5	48,000	204496437
	(C,M)CG4248PCBP		GUH92C110C4M	13	11	48,000	204496438
	(C,M)CG4248PCBP + TXV	H4TXV02	GUH92C110C4M	14	11.5	48,000	204496439
	(C,M)CG4248PC8P		GUH92C110C5M	13	11	48,000	204496440
	(C,M)CG48PC9P		GUH92C110C5M	13	11	48,000	204496441

Note: <sup>1</sup> A blower time delay relay is required to achieve AHRI rating. This feature is standard on all furnaces and AH products  
<sup>2</sup> Certified in accordance with Unitary Air Conditioner Certification Program, which is based on AHRI Standard 210/240

Outdoor Model	Indoor Model	TXV Kit Where Needed	Furnace <sup>1</sup>	Cooling			
	Evap. Coil Air Handlers <sup>1</sup>			SEER	EER	AHRI Capacity <sup>2</sup>	AHRI Reference Numbers
RSG1348S1M	(C,M)CG48PC9P+TXV	H4TXV02	GUH92C110C5M	14	11	48,000	204496442
	(C,M)CG48PCCP		GUH92C110C5M	13	11	48,000	204496443
	(C,M)CG48PCCP+TXV	H4TXV02	GUH92C110C5M	14	11.5	48,000	204496444
	(C,M)CG4248PCBP		GUH92C110C5M	13	11	48,000	204496445
	(C,M)CG4248PCBP+TXV	H4TXV02	GUH92C110C5M	14	11.5	48,000	204496446
	(C,M)CG4248PCBP		GUH95C090C4M	14	11.7	49,500	204623512
	(C,M)CG48PC9P		GUH95C090C4M	13	11	48,500	204623511
	(C,M)CG60PCAP+TXV	H4TXV02	GUH95C090C4M	14	11.7	50,000	204623513
	(C,M)CG4248PCBP		GUH95C110C5M	14	11.7	49,500	204623515
	(C,M)CG48PC9P		GUH95C110C5M	13	11	48,500	204623514
	(C,M)CG60PCAP+TXV	H4TXV02	GUH95C110C5M	14	11.7	50,000	204623516
	(C,M)CG4248PDBP		GUH95C135D5M	13	11	48,000	204623517
	(C,M)CG60PDAP+TXV	H4TXV02	GUH95C135D5M	13	11	48,000	204623518
	(C,M)CG4248PC8P+TXV	H4TXV02	GUH96C090C4M	13	11	48,000	204525150
	(C,M)CG4248PCBP+TXV	H4TXV02	GUH96C090C4M	13	11	49,500	204525153
	(C,M)CG48PC9P+TXV	H4TXV02	GUH96C090C4M	13	11	48,000	204525151
	(C,M)CG48PCCP+TXV	H4TXV02	GUH96C090C4M	13	11	50,000	204525152
	(C,M)CG4248PC8P		GUH96C110C5M	13	11	48,000	204525155
	(C,M)CG4248PCBP		GUH96C110C5M	13	11	49,500	204525159
	(C,M)CG4248PCBP+TXV	H4TXV02	GUH96C110C5M	14	11.7	49,500	204525160
	(C,M)CG48PC9P		GUH96C110C5M	13	11	48,500	204525156
	(C,M)CG48PCCP		GUH96C110C5M	13	11	50,000	204525157
	(C,M)CG48PCCP+TXV	H4TXV02	GUH96C110C5M	14	11.7	50,000	204525158
	(C,M)CG4248PB8P+TXV	H4TXV02	GUH96C090B3M	13	11	48,000	204708287
	(C,M)CG48PB9P+TXV	H4TXV02	GUH96C090B3M	13	11	48,000	204708289
	(C,M)CG4248PB8P		GUH96C110B3M	13	11	48,000	204708286
	(C,M)CG48PB9P		GUH96C110B3M	13	11	48,500	204708288
	(C,M)CG4248PC8P+TXV	H4TXV02	GUH96C110C5M	13	11	48,000	204708292
	(C,M)CG48PC9P+TXV	H4TXV02	GUH96C110C5M	13	11	48,500	204708295
	(C,M)CG60PCBP		GUH96C110C5M	13	11	49,500	204708302
	(C,M)CG60PCBP+TXV	H4TXV02	GUH96C110C5M	14	12	49,500	204708303
	(C,M)CG4248PC8P		GUH96T090C5M	13	11	48,000	204708290
	(C,M)CG48PC9P		GUH96T090C5M	13	11	48,500	204708293
	(C,M)CG48PCCP		GUH96T090C5M	13	11	50,000	204708296
	(C,M)CG48PCCP+TXV	H4TXV02	GUH96T090C5M	14	12	50,000	204708298
	(C,M)CG4248PC8P		GUH96T110C5M	13	11	48,000	204708291
	(C,M)CG48PC9P		GUH96T110C5M	13	11	48,500	204708294
	(C,M)CG48PCCP		GUH96T110C5M	13	11	50,000	204708297
	(C,M)CG48PCCP+TXV	H4TXV02	GUH96T110C5M	14	12	50,000	204708299
	(C,M)CG4248PCBP		GUH96T110C5M	13	11	49,500	204708300
(C,M)CG4248PCBP+TXV	H4TXV02	GUH96T110C5M	14	12	49,500	204708301	
(C,M)CG4248PD8P		GUH96T135D5M	13	11	48,500	204708304	
(C,M)CG4248PD8P+TXV	H4TXV02	GUH96T135D5M	13	11	48,500	204708305	
(C,M)CG48PD9P		GUH96T135D5M	13	11	49,000	204708306	
(C,M)CG48PD9P+TXV	H4TXV02	GUH96T135D5M	13	11	49,000	204708307	

Note: <sup>1</sup>A blower time delay relay is required to achieve AHRI rating. This feature is standard on all furnaces and AH products  
<sup>2</sup>Certified in accordance with Unitary Air Conditioner Certification Program, which is based on AHRI Standard 210/240

Outdoor Model	Indoor Model	TXV Kit Where Needed	Furnace <sup>1</sup>	Cooling			
	Evap. Coil Air Handlers <sup>1</sup>			SEER	EER	AHRI Capacity <sup>2</sup>	AHRI Reference Numbers
<b>RSG1348S1M</b>	(C,M)CG48PDCP		GUH96T135D5M	13	11	50,000	204708308
	(C,M)CG48PDCP + TXV	H4TXV02	GUH96T135D5M	14	12	50,000	204708309
	(C,M)CG4248PDBP		GUH96T135D5M	13	11	50,000	204708310
	(C,M)CG4248PDBP + TXV	H4TXV02	GUH96T135D5M	14	12	50,000	204708311
	(C,M)CG4248PC8P		GUH97M090C4M	13	11	47,500	204521045
	(C,M)CG48PC9P		GUH97M090C4M	13	11	48,000	204521046
	(C,M)CG48PCCP		GUH97M090C4M	13	11	49,500	204521047
	(C,M)CG48PCCP + TXV	H4TXV02	GUH97M090C4M	14	11.7	49,500	204521048
	(C,M)CG4248PCBP		GUH97M090C4M	13	11	49,000	204521049
	(C,M)CG4248PCBP + TXV	H4TXV02	GUH97M090C4M	14	11.7	49,000	204521050
	(C,M)CG4248PC8P		GUH97M090C5M	13	11	48,000	204521051
	(C,M)CG48PC9P		GUH97M090C5M	13	11	48,500	204521052
	(C,M)CG48PCCP		GUH97M090C5M	13	11	50,000	204521053
	(C,M)CG48PCCP + TXV	H4TXV02	GUH97M090C5M	14	11.7	50,000	204521054
	(C,M)CG4248PCBP		GUH97M090C5M	13	11	49,500	204521055
	(C,M)CG4248PCBP + TXV	H4TXV02	GUH97M090C5M	14	11.7	49,500	204521056
	(C,M)CG4248PC8P		GUH97M110C5M	13	11	48,000	204521057
	(C,M)CG48PC9P		GUH97M110C5M	13	11	48,500	204521058
	(C,M)CG48PCCP		GUH97M110C5M	13	11	50,000	204521059
	(C,M)CG48PCCP + TXV	H4TXV02	GUH97M110C5M	14	11.7	50,000	204521060
	(C,M)CG4248PCBP		GUH97M110C5M	13	11	49,500	204521061
	(C,M)CG4248PCBP + TXV	H4TXV02	GUH97M110C5M	14	11.7	49,500	204521062
	(C,M)CG4248PD8P		GUH97M135D5M	13	11	47,500	204521063
	(C,M)CG48PD9P		GUH97M135D5M	13	11	48,000	204521064
	(C,M)CG48PDCP		GUH97M135D5M	13	11	49,000	204521065
	(C,M)CG48PDCP + TXV	H4TXV02	GUH97M135D5M	14	11.7	49,000	204521066
(C,M)CG4248PDBP		GUH97M135D5M	13	11	49,000	204521067	
(C,M)CG4248PDBP + TXV	H4TXV02	GUH97M135D5M	14	11.7	49,000	204521068	
<b>RSG1360S1M</b>	(C,M)CG60P(C,D)BP			13	10.5	57,000	204093500
	(C,M)CG60P(C,D)AP + TXV	H4TXV03		13	10.5	56,500	203408213
	(C,M,V)CG60PC1M			13	10.5	53,000	202467778
	(C,M,V)CG60PD1M			13	10.5	53,000	202467778
	HMG60F1M			13	11	56,000	201925111
	HMG60X1M			13.5	11	56,000	201925112
	HCG60V1M			13.5	11	57,000	201925113
	HMG60F1P			13	11	58,000	202833067
	HMG60X1P			13	11	58,000	202833076
	HCG60V1P			13	10.5	58,000	202833087
	HWCG60T0A			13	10.4	48,500	202887741
	HWCG60X0A			14	10.9	52,500	202887783
	(C,M)CG60PCAP		GUH92C110C5M	13	10.5	55,500	204496447
	(C,M)CG60PCBP		GUH92C110C5M	13	11	56,500	204496448

Note: <sup>1</sup> A blower time delay relay is required to achieve AHRI rating. This feature is standard on all furnaces and AH products  
<sup>2</sup> Certified in accordance with Unitary Air Conditioner Certification Program, which is based on AHRI Standard 210/240

## ACCESSORIES

DESCRIPTION	WHERE USED	CATALOG NUMBER
Crankcase Heater	18, 24, 30, 36	93M04
Crankcase Heater	42, 48, 60	93M05
Hard Start Kit	18	10J42
Hard Start kit	24, 30, 36, 42, 48, 60	88M91
Compressor Low Ambient Kit	18, 24, 30, 36, 42, 48, 60	34M72
Sound Blanket	18, 24, 30, 36	14W00
	42, 48, 60	14W01
Short Cycle Protector	18, 24, 30, 36, 42, 48, 60	47J27
Freezestat	3/8" tubing	93G35
Freezestat	5/8" tubing	50A93
Time Delay Relay	18, 24, 30, 36, 42, 48, 60	58M81
Loss of Charge Kit	18, 24, 30, 36, 42, 48, 60	84M23
TXV Kit	18 - 30	H4TXV01
TXV Kit	36 - 48	H4TXV02
TXV Kit	60	H4TXV03
TXV Kit	18 - 36	4200
TXV Kit	42 - 60	4202

“This product complies with all California product labeling laws including, but not limited to, the Safe Drinking Water and Toxic Enforcement Act of 1986, more commonly known as Proposition 65.”

*Due to ongoing product improvements, specifications and dimensions are subject to change and correction without notice or incurring obligations. Determining the application and suitability for use of any product is the responsibility of the installer. Additionally, the installer is responsible for verifying dimensional data on the actual product prior to beginning any installation preparations. Third party incentive and rebate programs have precise requirements as to product performance and certification. All products meet applicable regulations in effect on date of manufacture; however, certifications are not necessarily granted for the life of a product. Therefore, it is the responsibility of the applicant to determine whether a specific model qualifies for these incentive/rebate programs.*