

RSG16**S1M

SPECIFICATIONS

Compressor

- High-efficiency 2 stage Copeland
- UltraTech™ scroll compressor
- R410a refrigerant
- Grommet-mounted compressor for quiet operation
- Internally protected against high temperature motor overload conditions
- Heavy-duty compressor sound blanket for quiet operation

Cabinet

- Full metal louvered panels remove for easy coil cleaning and service
- Controls located in corner post for easy installation and service
- Rounded corners for safety and attractive, clean appearance
- Baked polyester paint finish over galvanized steel for maximum durability
- PVC-coated wire fan discharge grill
- External gauge ports for easy service

Coils

- Enhanced aluminum fins and copper tubing for higher efficiency and capacity
- Raised coil prevents debris from collecting in bottom of coil and causing loss of airflow

Design

- Designed for ambients up to 125°F
- All units ETL and ETLC approved and AHRI listed

Components

- Service valves positioned for quick installation and easy service
- High and low pressure switches factory installed
- Comfort Alert 2™ diagnostics is factory installed
- Trade available component
- Factory installed crank case heater
- Charged for 15 ft. of line set



SPLIT AIR CONDITIONER SYSTEM

16 SEER



Warranty

Standard warranty or Extended warranty available with product registration.
See warranty document for details or visit www.marsdelivers.com

MODEL NUMBER GUIDE

R	S	G	16	24	S	1	M
Residential Condenser	Split System	'Green' Gas R-410A	Minimum SEER	Capacity BTUH x 1000	S = Scroll Compressor	Power 1 = 208/230-1-60	Series/ Revision

ELECTRICAL AND PHYSICAL DATA

Model	Voltage/ Hz/ Phase	Voltage Range	Min. Circuit (Amps)	Max. Fuse (Amps) ¹	Compressor		Fan Motor			Refrig. Charge (oz.) ²	Weight (lbs.)	
					Rated Load (Amps)	Locked Rotor (Amps)	Full Load (Amps)	Rated HP	Nom. RPM		Louvered	
RSG1624S1M	230/60/1	197 - 253	13.9	20	11.4	52.0	1.1	1/5	1075	117	200	
RSG1636S1M	230/60/1	197 - 253	21.9	35	19.0	82.0	1.1	1/6	825	137	230	
RSG1648S1M	230/60/1	197 - 253	28.1	45	24.0	96.0	1.1	1/6	825	180	262	
RSG1660S1M	230/60/1	197 - 253	33.8	55	26.0	118.0	1.7	1/4	825	214	310	

¹ Factory charged for 15 feet of line set. Adjust per installation instructions.

² Weights listed are unit weights with packaging

COOLING PERFORMANCE EXTENDED RATINGS

Outdoor Model	Indoor Temp DB/WB °F	Outdoor Temp - DB°F														
		65			82			95			105			115		
		Btuh	S/T	kW	Btuh	S/T	kW	Btuh	S/T	kW	Btuh	S/T	kW	Btuh	S/T	kW
RSG1624S1M	85/72	27,000	.67	1.43	26,500	.68	1.70	25,000	.72	1.93	23,600	.73	2.38	22,200	.76	2.59
	80/67	26,000	.70	1.40	25,500	.71	1.67	24,000	.75	1.90	22,600	.76	2.35	21,200	.79	2.56
	75/63	25,000	.73	1.37	24,500	.74	1.64	23,000	.78	1.87	21,600	.79	2.32	20,200	.82	2.53
RSG1636S1M	85/72	40,200	.66	1.76	38,200	.68	2.31	36,400	.69	2.98	35,000	.71	3.28	33,000	.74	3.69
	80/67	39,200	.69	1.73	37,200	.71	2.28	35,400	.72	2.95	34,000	.74	3.25	32,000	.77	3.66
	75/63	38,200	.72	1.70	36,200	.74	2.25	34,400	.75	2.92	33,000	.77	3.22	31,000	.80	3.63
RSG1648S1M	85/72	55,400	.68	2.93	52,000	.71	3.43	49,500	.72	3.89	48,000	.73	4.23	45,800	.75	5.53
	80/67	53,400	.71	2.90	50,000	.74	3.40	47,500	.75	3.86	46,000	.76	4.20	43,800	.78	5.50
	75/63	51,400	.74	2.87	48,000	.77	3.37	45,500	.78	3.83	44,000	.79	4.17	41,800	.81	5.47
RSG1660S1M	85/72	61,000	.64	3.82	60,000	.65	4.49	59,000	.68	5.11	55,000	.69	5.66	52,000	.72	6.30
	80/67	59,000	.67	3.79	58,000	.68	4.46	57,000	.71	5.08	53,000	.72	5.63	50,000	.75	6.27
	75/63	57,000	.70	3.76	56,000	.71	4.43	55,000	.74	5.05	51,000	.75	5.60	48,000	.78	6.24

All ratings are with required indoor variable speed matches.

Extended data shown is actual for models listed and typical for all AHRI matches.

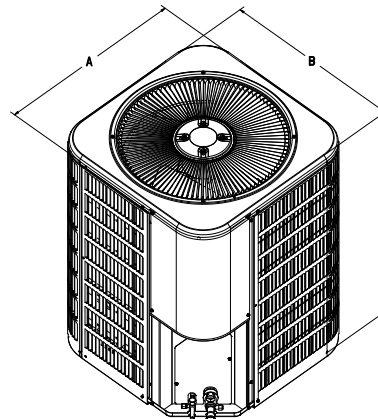
ACCESSORIES

DESCRIPTION	WHERE USED	KIT NUMBER
Compressor Low Ambient Cut-off	All RSG16**S1M	45F08
Freezestats (3/8")	All RSG16**S1M	93G35
Freezestats (1/2")	All RSG16**S1M	39H29
Freezestats (5/8")	All RSG16**S1M	50A93
Time Off Control	All RSG16**S1M	47J27
Crank Case Heater	All RSG16**S1M	93M06
Hard Start Kit 2 - 3 ton	RSG24**S1M	63W22
	RSG36**S1M	63W23
Hard Start Kit 4 - 5 ton	RSG48**S1M	81J69
	RSG60**S1M	63W24
Low Ambient	All RSG16**S1M	34M72

UNIT DIMENSIONS & SOUND RATINGS

Model	Dimensions			Sound Ratings (dBa)
	A - width (in.)	B - depth (in.)	C - height (in.)	
RSG1624S1M	26-3/4	24-3/4	29-3/4	74
RSG1636S1M	31-1/4	29-3/8	29-3/4	74
RSG1648S1M	31-1/4	29-3/8	37-3/4	76
RSG1660S1M	31-1/4	29-3/8	43-3/4	76

Note: Dimensions listed are unit sizes w/o packaging



PERFORMANCE WITH COILS, AIR HANDLERS AND FURNACES

Outdoor Model	Indoor Model	TXV Kit Where Needed	Furnace ¹	Cooling			
	Evap. Coil Air Handlers ¹			SEER	EER	AHRI Capacity ²	AHRI Reference Numbers
RSG1624S1M	HMG24X1P			14.5	12.2	24,000	204580598
	HMG30X1P			15.5	12.5	24,000	204580599
	HCG24V1P			15.1	12.2	24,000	204543642
	HCG30V1P			15.5	12.5	24,000	204543643
	HCG24V1M			15	12.2	24,000	202120920
	HWC24X0A			15	12.2	21,800	202887688
	HWC30X0A			15.5	12.6	24,000	202887693
	HWC23X0A			15	12.2	22,400	203421193
	HWC35X0A			15.5	12.2	23,000	203421210
	(C,M,V)CG18PB1M+TXV	4200	GUH95T070B3M	16	12.8	22,400	202175979
	(C,M,V)CG18PC1M+TXV	4200	GUH95T090C3M	16.5	12.9	22,800	202176004
	(C,M,V)CG24/30PB1M+TXV	4200	GUH95T070B3M	16	12.4	21,400	202175985
	(C,M,V)CG24/30PC1M		GUH95T090C3M	16	12.6	21,800	202176022
	(C,M,V)CG24/30PC1M+TXV	4200	GUH95T090C3M	16	12.6	21,800	202176010
	MCG30PB2M+TXV	4200	GUH95T070B3M	16.5	13	23,000	202467825
	MCG30PC2M+TXV	4200	GUH95T090C3M	16.5	13	23,600	202467827
	(C,M)CG2430PB3P+TXV	H4TXV01	GUH95T070B3M	16	13	23,800	203408380
	(C,M)CG24PC4P+TXV	H4TXV01	GUH95T090C3M	16	13	23,800	203408381
	(C,M)CG1824PB1P+TXV	H4TXV01	GUH96T045B3M	15	12	23400	204708367
	(C,M)CG2430PB3P+TXV	H4TXV01	GUH96T045B3M	15	13	23800	204708369
	(C,M)CG24PB4P+TXV	H4TXV01	GUH96T045B3M	15	13	24000	204708371
	(C,M)CG30PB5P+TXV	H4TXV01	GUH96T045B3M	16	13	24000	204708373
	(C,M)CG1824PB1P+TXV	H4TXV01	GUH96T070B3M	15	12	23400	204708368
	(C,M)CG2430PB3P+TXV	H4TXV01	GUH96T070B3M	15	13	23800	204708370
	(C,M)CG24PB4P+TXV	H4TXV01	GUH96T070B3M	15	13	24000	204708372
	(C,M)CG30PB5P+TXV	H4TXV01	GUH96T070B3M	16	13	24200	204708374
	(C,M)CG36PB7P+TXV	H4TXV01	GUH96T070B3M	16	13	24200	204708375
	(C,M)CG24PC4P+TXV	H4TXV01	GUH96T090C3M	15	12	23200	204708376
	(C,M)CG30PC5P+TXV	H4TXV01	GUH96T090C3M	15	12	23600	204708377
	(C,M)CG36PC7P+TXV	H4TXV01	GUH96T090C3M	16	13	23800	204708378
	(C,M)CG30PB5P+TXV	H4TXV01	GUH97M070B3M	15.5	12.2	24,000	204444476
	(C,M)CG36PB7P+TXV	H4TXV01	GUH97M070B3M	15.5	12.2	24,000	204444477

Note: ¹ A blower time delay relay is required to achieve AHRI rating. This feature is standard on all furnaces and AH products
² Certified in accordance with Unitary Air Conditioner Certification Program, which is based on AHRI Standard 210/240

PERFORMANCE WITH COILS, AIR HANDLERS AND FURNACES

Outdoor Model	Indoor Model	TXV Kit Where Needed	Furnace ¹	Cooling			
	Evap. Coil Air Handlers ¹			SEER	EER	AHRI Capacity ²	AHRI Reference Numbers
RSG1636S1M	HMG36X1P			15.1	12.2	36,000	204580600
	HMG42X1P			15.5	12.5	36,000	204580610
	HCG36V1P			15.5	12.2	36,000	204543640
	HCG42V1P			16	13	36,000	204543641
	HCG36V1M			15	12.2	34,000	202120922
	HCG42V1M			15	12.2	34,000	202120924
	HWCG42X0A			15.5	12.5	33,800	202887697
	HWCG47X0A			15.5	12.3	33,000	203421228
	(C,M)CG36PB7P+TXV	H4TXV02	GUH96T045B3M	15	12	36,000	204708402
	(C,M)CG36PB7P+TXV	H4TXV02	GUH96T070B3M	15	12	36,200	204708403
	(C,M)CG36PC7P+TXV	H4TXV02	GUH96T090C3M	15	12	36,000	204708404
	(C,M)CG36PC7P+TXV	H4TXV02	GUH96T090C5M	16	12	36,600	204708405
	(C,M)CG36PC7P+TXV	H4TXV02	GUH96T110C5M	16	12	36,400	204708406
	(C,M,V)48PB1M+TXV	4200	GUH97M070B3M	16	12.3	35,400	202849530
	(C,M,V)42PB2M		GUH97M070B3M	15	12.2	35,000	202879533
	(C,M,V)48PB2M+TXV	4200	GUH97M070B3M	16	12.2	35,000	202849534
	(C,M)CG36PB7P+TXV	H4TXV02	GUH97M070B3M	15.5	12.2	36200	204444478
	(C,M,V)48PC1M		GUH97M090C3M	16	12.3	33,200	202849536
	(C,M,V)48PC1M+TXV	4200	GUH97M090C3M	16.5	12.3	33,200	202849538
	MCG48TC2M	INSTALLED	GUH97M090C3M	16.5	12.3	33,600	202849540
	(C,M)CG36PC7P+TXV	H4TXV02	GUH97M090C3M	16	12.2	34,200	204444479
	(C,M,V)48PC1M		GUH97M090C4M	16	12.3	33,200	202849542
	(C,M,V)48PC1M+TXV	4200	GUH97M090C4M	16.5	12.3	33,200	202849544
	MCG48TC2M	INSTALLED	GUH97M090C4M	16.5	12.3	33,600	202849546
	(C,M)CG36PC7P+TXV	H4TXV02	GUH97M090C4M	16	12.2	36,200	204444480
	(C,M)CG36PC7P+TXV	H4TXV02	GUH97M090C5M	16	12.2	36,600	204444481
	(C,M,V)48PC1M		GUH97M110C5M	16	12.3	33,200	202849548
	(C,M,V)48PC1M+TXV	4200	GUH97M110C5M	16.5	12.3	33,200	202849550
	(C,M,V)60PC1M		GUH97M110C5M	16	12.3	33,600	202849552
	(C,M,V)60PC1M+TXV	4200	GUH97M110C5M	16.5	12.3	33,600	202849554
	MCG48TC2M	INSTALLED	GUH97M110C5M	16.5	12.3	33,600	202849556
	MCG60TC2M	INSTALLED	GUH97M110C5M	16.5	12.4	34,000	202849558
	(C,M)CG3036PC4P+TXV	H4TXV02	GUH97M110C5M	15	12.5	35,400	204444482
	(C,M)CG36PC7P+TXV	H4TXV02	GUH97M110C5M	16	12.2	34,200	204444483
(C,M)CG36PC7P+TXV	H4TXV02	GUH95T090C3M	15	12.2	34,200	203408371	
(C,M)CG36PC7P+TXV	H4TXV02	GUH95T110C5M	15	12.2	34,200	203408372	

Note: ¹A blower time delay relay is required to achieve AHRI rating. This feature is standard on all furnaces and AH products
²Certified in accordance with Unitary Air Conditioner Certification Program, which is based on AHRI Standard 210/240

PERFORMANCE WITH COILS, AIR HANDLERS AND FURNACES

Outdoor Model	Indoor Model	TXV Kit Where Needed	Furnace ¹	Cooling				
	Evap. Coil Air Handlers ¹			SEER	EER	AHRI Capacity ²	AHRI Reference Numbers	
RSG1648S1M	(C,M)CG4248P(C,D)BP+TXV	H4TXV02		14.5	11.7	46,500	203408384	
	MCG48T(C,D)2M	INSTALLED		14.5	11.7	45,000	202467863	
	MCG60T(C,D)2M	INSTALLED		15	11.7	45,000	202467865	
	HMG48X1P			15.5	11.7	46,500	204580601	
	HMG60X1P			16	12.2	47,000	204580602	
	HCG48V1P			16	12	46,500	204543645	
	HCG60V1P			16	12.2	47,500	204543646	
	HCG60V1M			15	12.2	47,000	202120926	
	HWC48X0A			15.5	12	45,000	202887700	
	HWC60X0A			15.5	12.1	45,000	202887704	
	HWC47X0A			15	12	45,000	203421282	
	(C,M)CG4248PCBP+TXV	H4TXV02		GUH95C090C4M	16	11.7	46,500	204759242
	(C,M)CG60PCBP+TXV	H4TXV02		GUH95C090C4M	16	11.7	46,500	204759243
	(C,M)CG48PCCP+TXV	H4TXV02		GUH95C090C4M	16	12	47,000	204759244
	(C,M)CG60PCAP+TXV	H4TXV02		GUH95C110C5M	16	11.7	46,000	204759245
	(C,M)CG48PCCP+TXV	H4TXV02		GUH95C110C5M	16	12.2	46,500	204759248
	(C,M)CG4248PCBP+TXV	H4TXV02		GUH95C110C5M	16	12	46,500	204759246
	(C,M)CG60PCBP+TXV	H4TXV02		GUH95C110C5M	16	12	46,500	204759247
	(C,M,V)CG48PC1M+TXV	4202		GUH95T090C5M	16	11.4	42,500	202176103
	(C,M,V)CG48PC1M+TXV	4202		GUH95T110C5M	16	11.4	42,500	202176123
	(C,M,V)CG48PD1M+TXV	4202		GUH95T135D5M	16	11.7	42,500	202176144
	(C,M,V)CG60PC1M+TXV	4202		GUH95T110C5M	16	11.4	43,000	202176118
	(C,M,V)CG60PD1M+TXV	4202		GUH95T135D5M	16	11.8	42,500	202176139
	MCG48TC2M	INSTALLED		GUH95T090C5M	16	11.7	45,000	202467855
	MCG60TC2M	INSTALLED		GUH95T090C5M	16.5	11.7	45,000	202467857
	MCG48TC2M	INSTALLED		GUH95T110C5M	16	11.7	45,000	202467859
	MCG60TC2M	INSTALLED		GUH95T110C5M	16.5	11.7	45,000	202467861
	MCG60TD2M	INSTALLED		GUH95T135D5M	16.5	11.9	45,000	202467849
	(C,M)CG48PCCP+TXV	H4TXV02		GUH95T090C5M	16	11.7	46,500	203408382
	(C,M)CG48PCCP+TXV	H4TXV02		GUH95T110C5M	16	11.7	46,500	203408383
	(C,M)CG4248PCBP+TXV	H4TXV02		GUH96C090C4M	16	11.7	46,500	204759257
	(C,M)CG60PCBP+TXV	H4TXV02		GUH96C090C4M	16	11.7	46,500	204759258
	(C,M)CG48PCCP+TXV	H4TXV02		GUH96C090C4M	16	12	47,000	204759259
	(C,M)CG60PCAP+TXV	H4TXV02		GUH96C110C5M	16	11.7	46,000	204759263
(C,M)CG4248PCBP+TXV	H4TXV02		GUH96C110C5M	16	12	46,500	204761483	

Note: ¹ A blower time delay relay is required to achieve AHRI rating. This feature is standard on all furnaces and AH products
² Certified in accordance with Unitary Air Conditioner Certification Program, which is based on AHRI Standard 210/240

CONTINUED ON NEXT PAGE

PERFORMANCE WITH COILS, AIR HANDLERS AND FURNACES

Outdoor Model	Indoor Model	TXV Kit Where Needed	Furnace ¹	Cooling			
	Evap. Coil Air Handlers ¹			SEER	EER	AHRI Capacity ²	AHRI Reference Numbers
RSG1648S1M	(C,M)CG60PCBP+TXV	H4TXV02	GUH96C110C5M	16	12	46,500	204761484
	(C,M)CG48PCCP+TXV	H4TXV02	GUH96C110C5M	16	12.2	46,500	204759262
	(C,M)CG4248PC8P+TXV	H4TXV02	GUH96T090C5M	16	12	46,500	204708420
	(C,M)CG48PC9P+TXV	H4TXV02	GUH96T090C5M	16	12	47,000	204708422
	(C,M)CG60PCAP+TXV	H4TXV02	GUH96T090C5M	16	12	47,000	204708424
	(C,M)CG48PCCP+TXV	H4TXV02	GUH96T090C5M	16	12	47,500	204708426
	(C,M)CG4248PC8P+TXV	H4TXV02	GUH96T110C5M	16	12	46,500	204708421
	(C,M)CG48PC9P+TXV	H4TXV02	GUH96T110C5M	16	12	47,000	204708423
	(C,M)CG60PCAP+TXV	H4TXV02	GUH96T110C5M	16	12	47,000	204708425
	(C,M)CG48PCCP+TXV	H4TXV02	GUH96T110C5M	16	12	46,500	204708427
	(C,M)CG4248PCBP+TXV	H4TXV02	GUH96T110C5M	16	12	45,500	204708428
	(C,M)CG4248PD8P+TXV	H4TXV02	GUH96T135D5M	15	12	45,500	204708429
	(C,M)CG48PD9P+TXV	H4TXV02	GUH96T135D5M	15	12	46,000	204708430
	(C,M)CG60PDAP+TXV	H4TXV02	GUH96T135D5M	16	12	46,500	204708431
	(C,M)CG48PDCP+TXV	H4TXV02	GUH96T135D5M	16	12	47,000	204708432
	(C,M)CG4248PDBP+TXV	H4TXV02	GUH96T135D5M	16	12	47,000	204708433
	(C,M)CG4248PC8P+TXV	H4TXV02	GUH97M090C4M	15.5	11.7	45,500	204444484
	(C,M)CG48PC9P+TXV	H4TXV02	GUH97M090C4M	15.5	12	45,500	204444485
	(C,M)CG60PCAP+TXV	H4TXV02	GUH97M090C4M	16	11.7	46,000	204444486
	(C,M)CG48PCCP+TXV	H4TXV02	GUH97M090C4M	16	12.2	46,500	204444487
	(C,M)CG4248PCBP+TXV	H4TXV02	GUH97M090C4M	16	12.2	45,500	204444488
	(C,M)CG60PCBP+TXV	H4TXV02	GUH97M090C4M	16	12.2	45,500	204444489
	(C,M)CG4248PC8P+TXV	H4TXV02	GUH97M090C5M	15.5	11.7	45,500	204444490
	(C,M)CG48PC9P+TXV	H4TXV02	GUH97M090C5M	15.5	12	45,500	204444491
	(C,M)CG60PCAP+TXV	H4TXV02	GUH97M090C5M	16	11.7	46,000	204444492
	(C,M)CG48PCCP+TXV	H4TXV02	GUH97M090C5M	16	12.2	46,500	204444493
	(C,M)CG4248PCBP+TXV	H4TXV02	GUH97M090C5M	16	12.2	45,500	204444494
	(C,M)CG60PCBP+TXV	H4TXV02	GUH97M090C5M	16	12.2	45,500	204444495
	(C,M)CG4248PC8P+TXV	H4TXV02	GUH97M110C5M	15.5	11.7	45,500	204444496
	(C,M)CG48PC9P+TXV	H4TXV02	GUH97M110C5M	15.5	12	45,500	204444497
(C,M)CG60PCAP+TXV	H4TXV02	GUH97M110C5M	16	11.7	46,000	204444498	
(C,M)CG48PCCP+TXV	H4TXV02	GUH97M110C5M	16	12.2	46,500	204444499	
(C,M)CG4248PCBP+TXV	H4TXV02	GUH97M110C5M	16	12.2	45,500	204444500	
(C,M)CG60PCBP+TXV	H4TXV02	GUH97M110C5M	16	12.2	45,500	204444501	

Note: ¹ A blower time delay relay is required to achieve AHRI rating. This feature is standard on all furnaces and AH products
² Certified in accordance with Unitary Air Conditioner Certification Program, which is based on AHRI Standard 210/240

CONTINUED ON NEXT PAGE

PERFORMANCE WITH COILS, AIR HANDLERS AND FURNACES

Outdoor Model	Indoor Model	TXV Kit Where Needed	Furnace ¹	Cooling			
	Evap. Coil Air Handlers ¹			SEER	EER	AHRI Capacity ²	AHRI Reference Numbers
RSG1648S1M	(C,M)CG4248PD8P+TXV	H4TXV02	GUH97M135D5M	15.5	11.7	45,500	204444502
	(C,M)CG48PD9P+TXV	H4TXV02	GUH97M135D5M	15.5	12	45,000	204444503
	(C,M)CG60PDAP+TXV	H4TXV02	GUH97M135D5M	16	12	45,500	204444504
	(C,M)CG48PDCP+TXV	H4TXV02	GUH97M135D5M	16	12.2	47,000	204444505
	(C,M)CG4248PDBP+TXV	H4TXV02	GUH97M135D5M	16	12.2	46,000	204444506
	(C,M)CG60PDBP+TXV	H4TXV02	GUH97M135D5M	16	12.2	46,000	204444507
RSG1660S1M	(C,M)CG60P(C,D)BP+TXV	H4TXV03		14.5	11.7	56,500	203408385
	MCG60T(C,D)2M			15	11.7	54,000	202467873
	HMG60X1P			15.1	12.2	59,000	204580603
	HCG60V1P			16	12	59,000	204543644
	HCG60V1M			15	12.2	56,500	202120928
	HWCG60X0A			15.5	12	53,000	202887708
	MCG60TC2M	INSTALLED	GUH95T090C5M	16	11.7	54,000	202467867
	MCG60TC2M	INSTALLED	GUH95T110C5M	16	11.7	54,000	202467869
	MCG60TD2M	INSTALLED	GUH95T135D5M	16	11.7	54,000	202467871
	(C,M,V)CG60PC1M		GUH95T090C5M	15	11.7	53,500	202749560
	(C,M,V)CG60PC1M+TXV	4202	GUH95T090C5M	15.5	11.7	53,500	202849562
	MCG60TC2M	INSTALLED	GUH97M090C5M	16	11.9	55,000	202849564
	(C,M,V)CG60PC1M		GUH95M110C5M	15	11.7	53,500	202849566
	(C,M,V)CG60PC1M+TXV	4202	GUH95M110C5M	15.5	11.7	53,500	202849568
	MCG60TC2M	INSTALLED	GUH95M110C5M	16	11.9	55,000	202849570
	(C,M,V)CG60PD1M		GUH97M135D5M	15	11.8	54,000	202849572
	(C,M,V)CG60PD1M+TXV	4202	GUH97M135D5M	15.5	11.8	54,000	202849574
	MCG60TD2M	INSTALLED	GUH97M135D5M	16	11.9	55,000	202849576
	(C,M)CG60PCBP+TXV	H4TXV03	GUH95T090C5M	15	11.7	56,500	203408373
	(C,M)CG60PCBP+TXV	H4TXV03	GUH95T110C5M	15	11.7	56,500	203408374
	(C,M)CG60PDBP+TXV	H4TXV03	GUH95T135D5M	15	11.7	57,000	203928814
	(C,M)CG60PCAP+TXV	H4TXV03	GUH96T090C5M	15	12	57,000	204708434
	(C,M)CG60PCBP+TXV	H4TXV03	GUH96T090C5M	15	12	58,000	204708436
	(C,M)CG60PCAP+TXV	H4TXV03	GUH96T110C5M	15	12	58,000	204708435
	(C,M)CG60PCBP+TXV	H4TXV03	GUH96T110C5M	16	12	59,000	204708437
	(C,M)CG60PDAP+TXV	H4TXV03	GUH96T135D5M	15	12	58,500	204708438
	(C,M)CG60PDBP+TXV	H4TXV03	GUH96T135D5M	15	12	59,000	204708439
	(C,M)CG60PCAP+TXV	H4TXV03	GUH97M090C5M	15	11.7	56,500	204444508

Note: ¹ A blower time delay relay is required to achieve AHRI rating. This feature is standard on all furnaces and AH products
² Certified in accordance with Unitary Air Conditioner Certification Program, which is based on AHRI Standard 210/240

PERFORMANCE WITH COILS, AIR HANDLERS AND FURNACES

Outdoor Model	Indoor Model	TXV Kit Where Needed	Furnace ¹	Cooling			
	Evap. Coil Air Handlers ¹			SEER	EER	AHRI Capacity ²	AHRI Reference Numbers
RSG1660S1M	(C,M)CG60PCBP + TXV	H4TXV03	GUH97M090C5M	15.5	12	57,500	204444509
	(C,M)CG60PCAP + TXV	H4TXV03	GUH97M110C5M	15	11.7	56,500	204444510
	(C,M)CG60PCBP + TXV	H4TXV03	GUH97M110C5M	15.5	12	57,500	204444511
	(C,M)CG60PDAP + TXV	H4TXV03	GUH97M135D5M	15.5	12	57,500	204444512
	(C,M)CG60PDBP + TXV	H4TXV03	GUH97M135D5M	15.5	12.2	58,000	204444513

Note: ¹A blower time delay relay is required to achieve AHRI rating. This feature is standard on all furnaces and AH products

²Certified in accordance with Unitary Air Conditioner Certification Program, which is based on AHRI Standard 210/240

“This product complies with all California product labeling laws including, but not limited to, the Safe Drinking Water and Toxic Enforcement Act of 1986, more commonly known as Proposition 65.”

Due to ongoing product improvements, specifications and dimensions are subject to change and correction without notice or incurring obligations. Determining the application and suitability for use of any product is the responsibility of the installer. Additionally, the installer is responsible for verifying dimensional data on the actual product prior to beginning any installation preparations. Third party incentive and rebate programs have precise requirements as to product performance and certification. All products meet applicable regulations in effect on date of manufacture; however, certifications are not necessarily granted for the life of a product. Therefore, it is the responsibility of the applicant to determine whether a specific model qualifies for these incentive/rebate programs.