

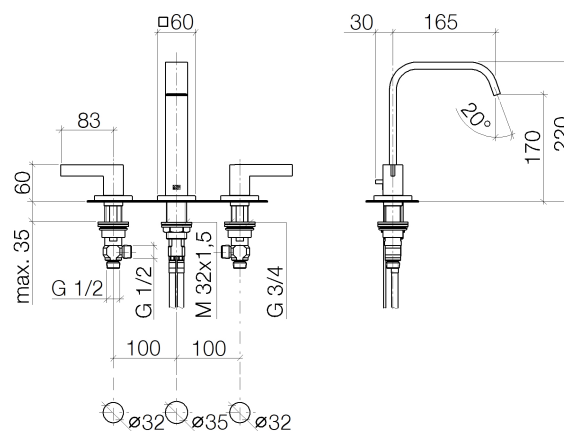


Product specifications

- **6-1/2" Projection**

- US drain with overflow
- Fixed spout
- Rectangular aerated stream
- Total height 8-5/8"
- Height to aerator/spout outlet 6-3/4"
- Valve hole diameter 1-1/4"
- Spout hole diameter 1-3/8"
- Flange 2-3/8" x 2-3/8"
- Water flow rate limited to max. 1.2 gpm
- low lead compliant

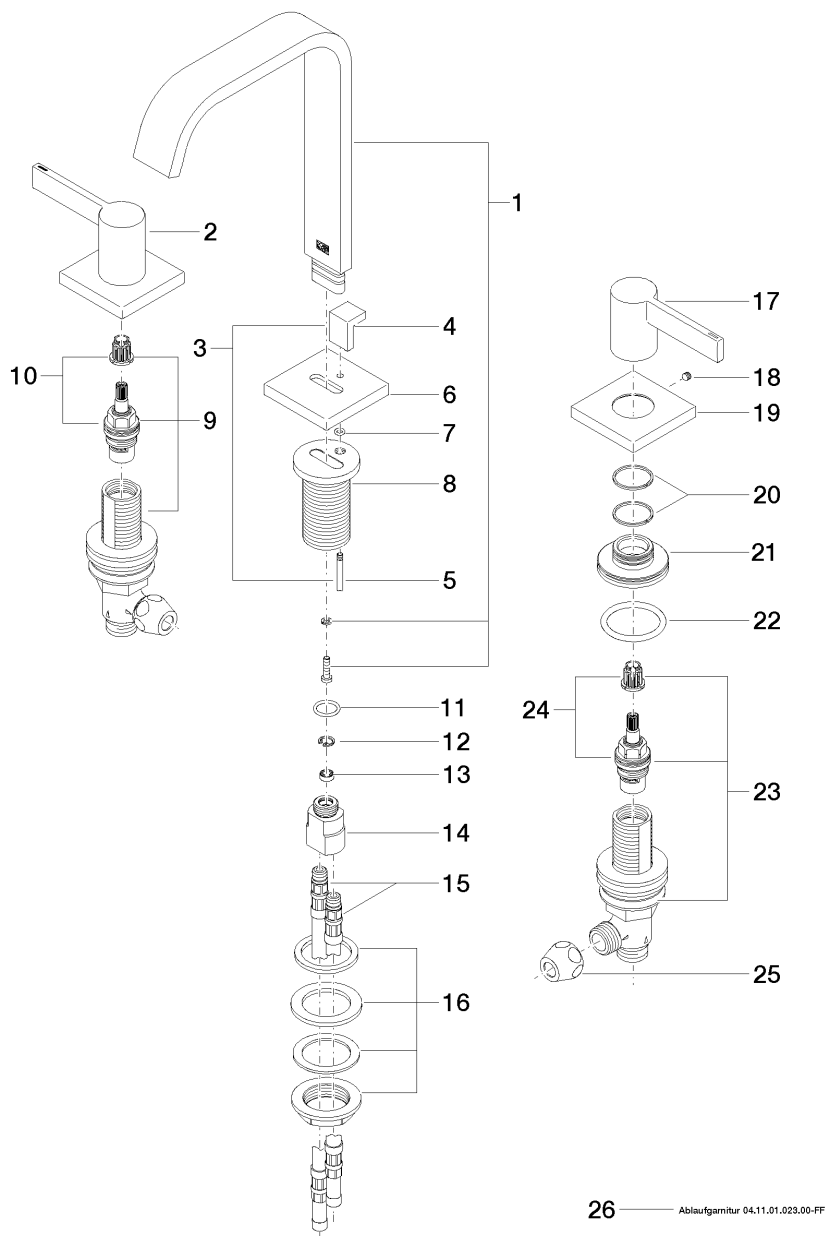
(ADA)



Surfaces

- chrome 20713670-000010
- matt platinum 20713670-060010

Exploded assembly drawing



**Order quantity**

No.	Article number	Name	Installation quantity
1	90282226701ff	spout	1
2	092067011ff	handle	1
3	04207803080ff	pull-rod	1
4	092078030ff	handle	1
5	093109080ff	pull-rod	1
6	092778032ff	rosette	1
7	09141016690	seal	1
8	0911100541090	connection	1
9	9017110405390	side panel	1
10	9090031530090	top	1
11	09141013090	seal	1
12	09160101690	ring	1
13	09230103390	flow reducer	1
14	0911100551090	connection	1
15	0430040160090	hose	2
16	0423100090190	fixing set	1
17	092067012ff	handle	1
18	0431111120090	pin	2
19	092722043ff	rosette	2
20	09141501490	ring	4
21	093011198ff	disc	2
22	09141003690	seal	1
23	9017110405290	side panel	1
24	9090031520090	top	1
25	04233004000ff	threaded connector	4
26	04110102300ff	pop-up waste	1

Flow rate chart

