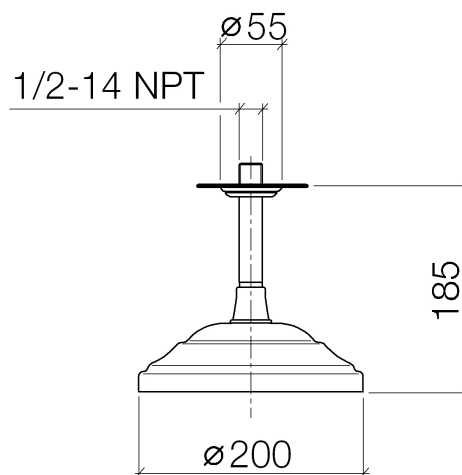




Product specifications

- Stream: Rain
- Descaling system
- Rain shower Ø 7-7/8"
- 7-1/4" distance between ceiling and bottom of showerhead
- Flange diameter 2-1/8"
- 1/2" connection
- Water flow rate limited to max. 2.4 gpm



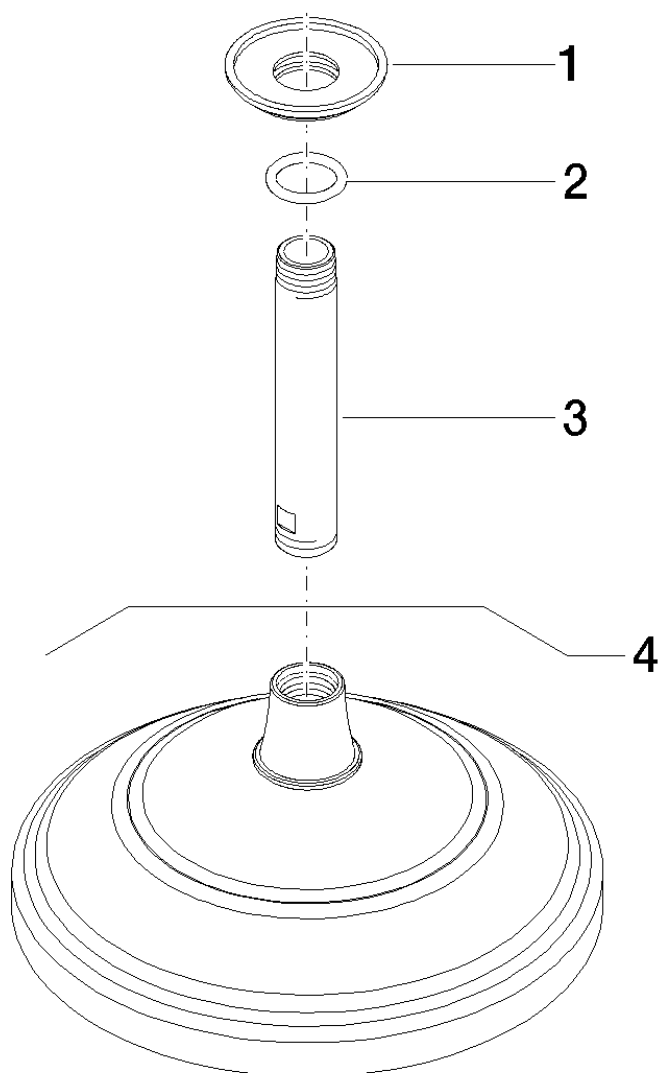
Surfaces

- | | |
|-----------------|-------------|
| • chrome | 28565977-00 |
| • matt platinum | 28565977-06 |
| • platinum | 28565977-08 |
| • brass | 28565977-09 |

Accessories required

- Concealed wall elbow; 35 085 970

Exploded assembly drawing





Order quantity

No.	Article number	Name	Installation quantity
1	092735003ff	rosette	1
2	09141002690	seal	2
3	091103018ff	connection	1
4	28535977ff	shower	1

