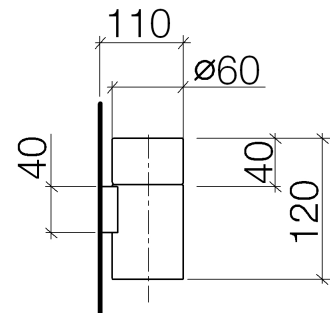




Product specifications

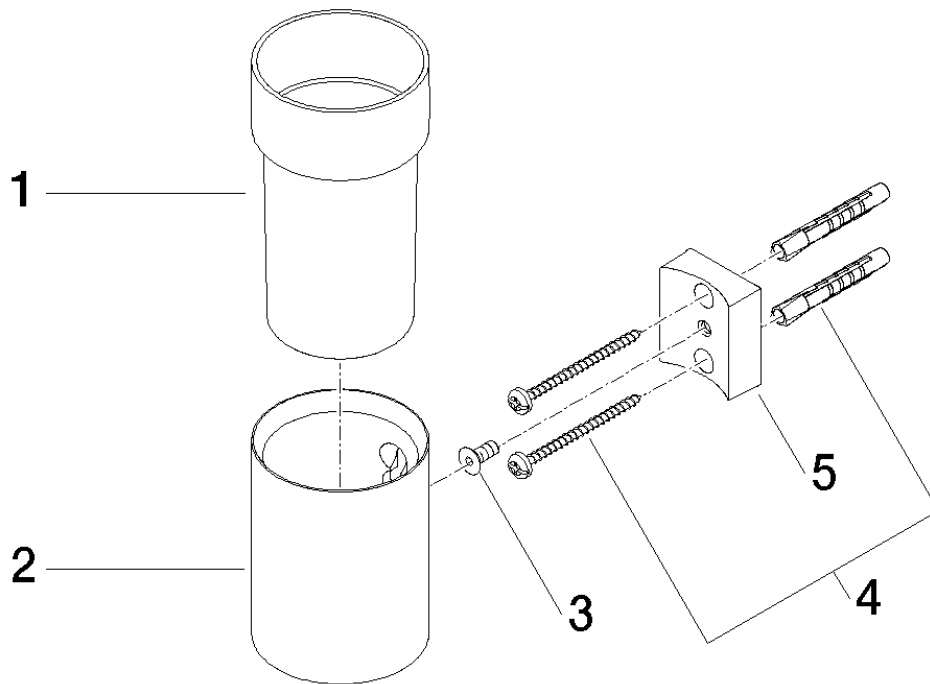
- Clear glass
- Width 2-3/8"
- Height 4-3/4"
- 4-3/8" Projection



Surfaces

- chrome 83400979-00
- matt platinum 83400979-06

Exploded assembly drawing





Order quantity

No.	Article number	Name	Installation quantity
1	08900000884	glass	1
2	081797569ff	holder	1
3	09303011790	screw	1
4	0530310250090	fixing set	1
5	081010530ff	holder	1