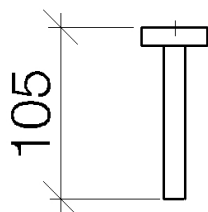
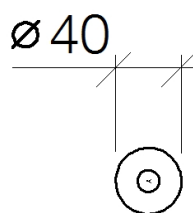
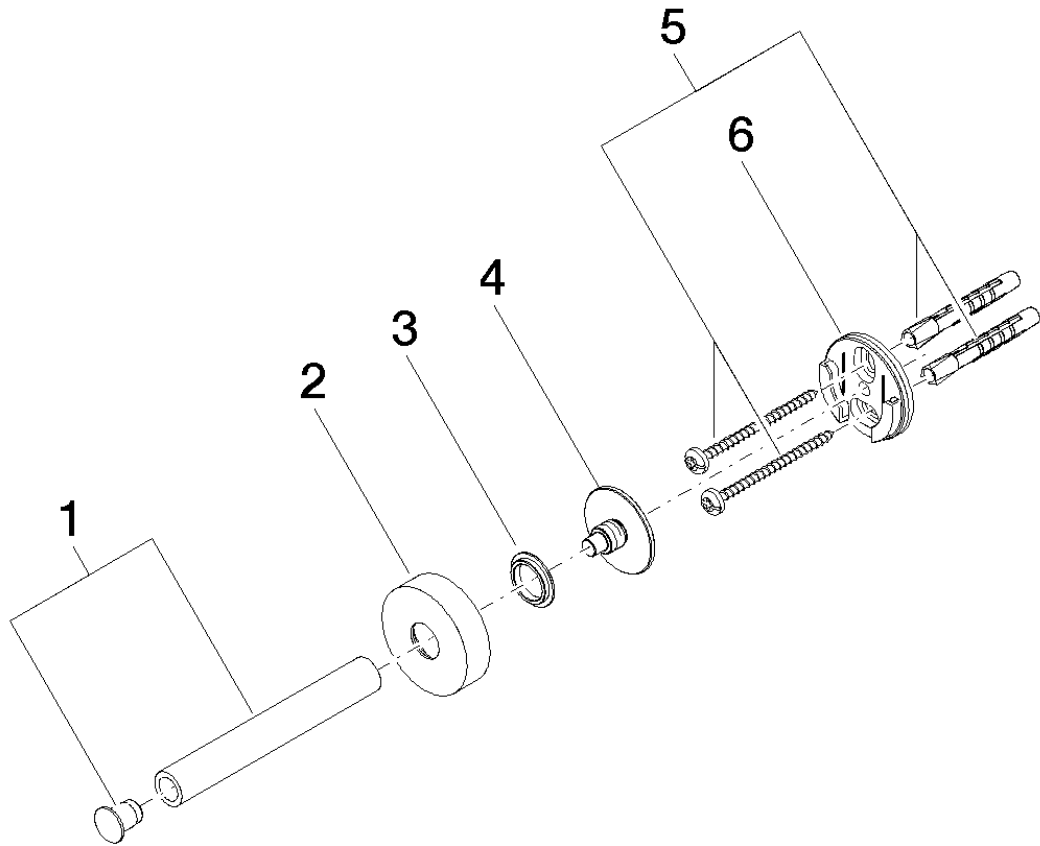


**Generic miscellaneous articles Reserve tissue holder "Modern"**

Article number: 83590979



**Exploded assembly drawing**



## Generic miscellaneous articles Reserve tissue holder "Modern"

Article number: 83590979



### Order quantity

No.	Article number	Name	Installation quantity
1	90179756700ff	holder	1
2	082797500ff	rosette	1
3	08301151690	ring	1
4	08179756090	holder	1
5	0530310250090	fixing set	1
6	08179750107	holder	1