



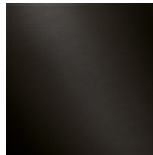
Sink - CYO

Three-hole lavatory mixer with drain - Brushed Dark Platinum

Article number: 20 713 821-99 0010



- 6-5/8" Projection
- US drain with overflow
- Rigid spout
- Rectangular aerated stream
- Total height 7-3/4"
- Height to aerator/spout outlet 5-1/4"
- Spout hole diameter 1-3/8"
- Valve hole diameter 1-1/4"
- Valve with flange 2-3/8" x 2-3/8"
- Water flow rate limited to max. 1.2 gpm
- lead-free
- with marking for hot and cold
- Suitable only for basins with overflow.
- (ADA)



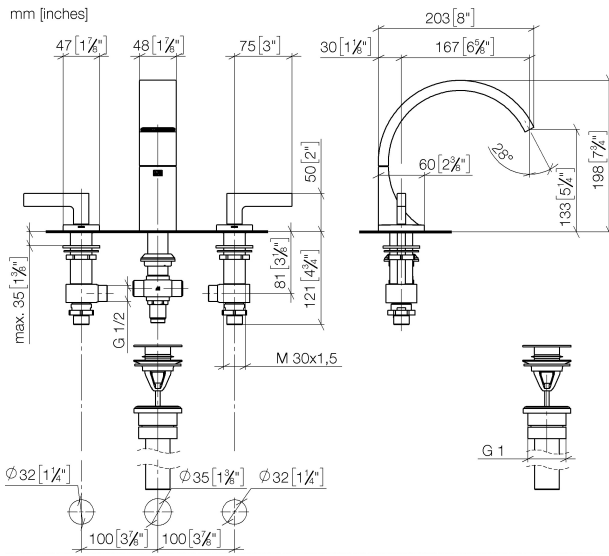
Brushed Dark Platinum

Sink - CYO

Three-hole lavatory mixer with drain - Brushed Dark Platinum

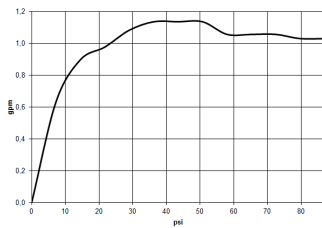
Article number: 20 713 821-99 0010

Dimensional drawing



All dimensions in mm / inch = mm x 0,0394

Flow rate chart





Sink - CYO

Three-hole lavatory mixer with drain - Brushed Dark Platinum

Article number: 20 713 821-99 0010

Other surface finishes



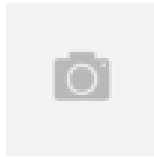
Chrome

20 713 821-00 0010



Brushed Platinum

20 713 821-06 0010

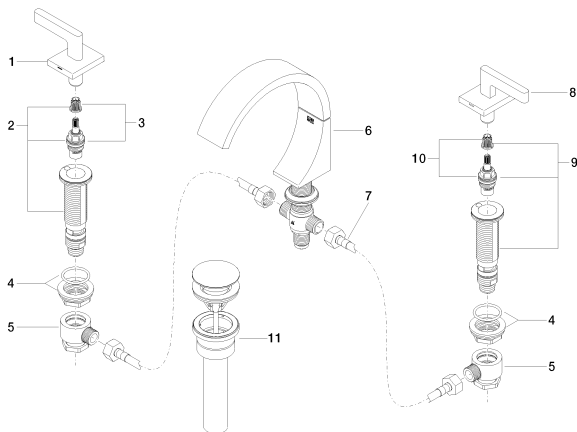


Brushed brass (23kt gold)

20 713 821-28 0010

More custom finish options are available via special production (xTra Service). See our finish matrix for availability and pricing or contact a Dornbracht representative. Some series may be excluded and some finishes may not be available in all series.

Spare parts list



| Number | Item Number | Designation | Number of units |
|--------|--------------------|--|-----------------|
| 1 | 90 20 70 057 02-99 | handle (hot) | 1 |
| 2 | 04 17 11 058 53 90 | side panel | 1 |
| 3 | 90 90 03 153 00 90 | top | 1 |
| 4 | 04 23 10 032 78 90 | fixing set | 2 |
| 5 | 04 17 11 023 10 90 | distributor | 2 |
| 6 | 13 717 811-99 | Lavatory spout, deck-mounted without drain - Brushed Dark Platinum | 1 |
| 7 | 04 30 04 096 00 90 | hose | 2 |
| 8 | 90 20 70 057 03-99 | handle (cold) | 1 |
| 9 | 04 17 11 058 52 90 | side panel | 1 |
| 10 | 90 90 03 152 00 90 | top | 1 |
| 11 | 10 125 970-99 0010 | Umbrella drain 1 1/4" - Brushed Dark Platinum | 1 |