



Sink - LISSÉ

Single-lever lavatory mixer without drain - Brushed Chrome

Article number: 33 521 845-93 0010

Date of manufacture from 5/3/2021



- 5-1/8" Projection
- Rigid spout
- Round aerated stream
- Total height 5"
- Height to aerator/spout outlet 3"
- 1-3/8" hole diameter
- 2 x pressure hose with 3/8" compression fitting
- Water flow rate limited to max. 1.2 gpm
- lead-free

Codes & Standards

- NSF/ANSI 372
- California Energy Commission (CEC)
- ASME A112.18.1/CSA B125.1
- NSF/ANSI/CAN 61
- ADA

- (ADA)



Brushed Chrome



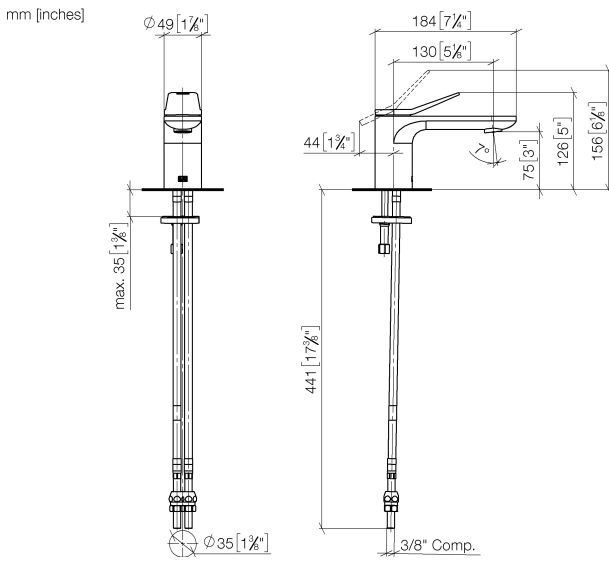
Sink - LISSÉ

Single-lever lavatory mixer without drain - Brushed Chrome

Article number: 33 521 845-93 0010

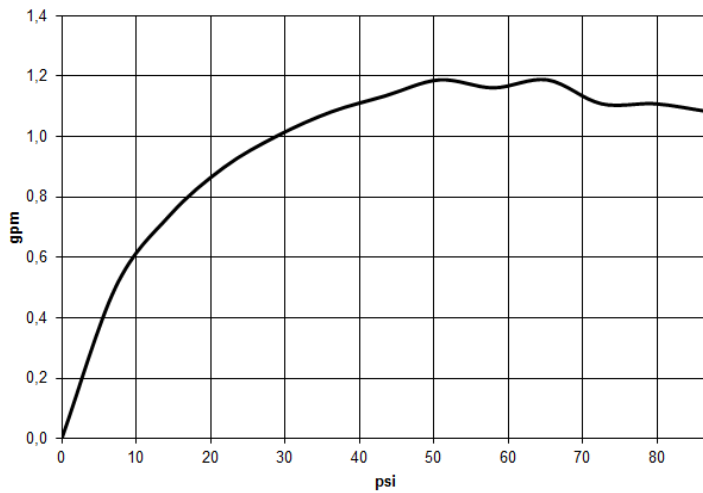
Date of manufacture from 5/3/2021

Dimensional drawing



All dimensions in mm / inch = mm x 0,0394

Flow rate chart





Sink - LISSÉ

Single-lever lavatory mixer without drain - Brushed Chrome

Article number: 33 521 845-93 0010

Date of manufacture from 5/3/2021

Other surface finishes



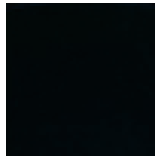
Chrome

33 521 845-00 0010



Brushed Platinum

33 521 845-06 0010

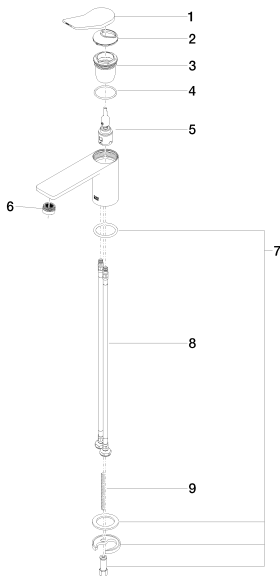


Black matte

33 521 845-33 0010

More custom finish options are available via special production (xTra Service). See our finish matrix for availability and pricing or contact a Dornbracht representative. Some series may be excluded and some finishes may not be available in all series.

Spare parts list



Number	Item Number	Designation	Number of units
1	90 20 84 020 00-93	handle	1
2	09 28 30 034 90	cover	1
3	09 23 10 123 90	nut	1
4	09 14 10 038 90	seal	1
5	90 15 05 042 01 90	cartridge	1
6	90 23 01 161 03-93	aerator	1
7	04 30 11 038 75 90	fixing set	1
8	04 30 04 102 00 90	Flexible supply line 3/8"	2
9	09 31 11 011 90	pin	1