



Sink - CYO

Single-lever lavatory mixer without drain - Chrome

Article number: 33 525 811-00 0010



- 7" Projection
- Rigid spout
- Rectangular aerated stream
- Total height 7-3/4"
- Height to aerator/spout outlet 5-1/4"
- 1-3/8" hole diameter
- Water flow rate limited to max. 1.2 gpm
- 2 x pressure hose with 3/8" compression fitting
- lead-free
- Suitable only for basins with overflow.
- Distance from center of tap hole to wall min. 55 mm (2-11/64") or to front edge of basin min. 40 mm (1-37/64").
- (ADA)



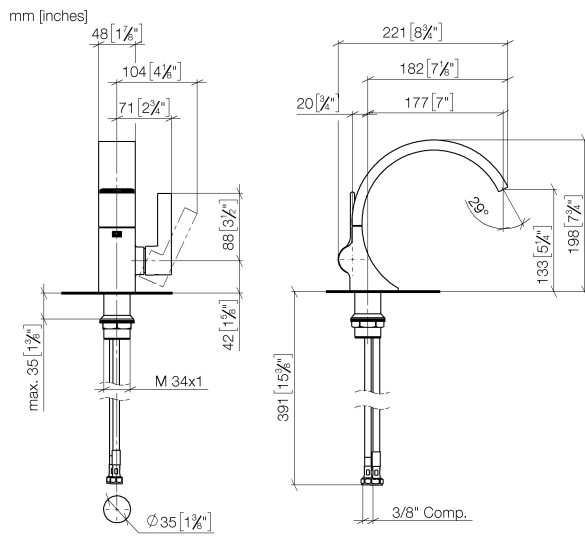
Chrome





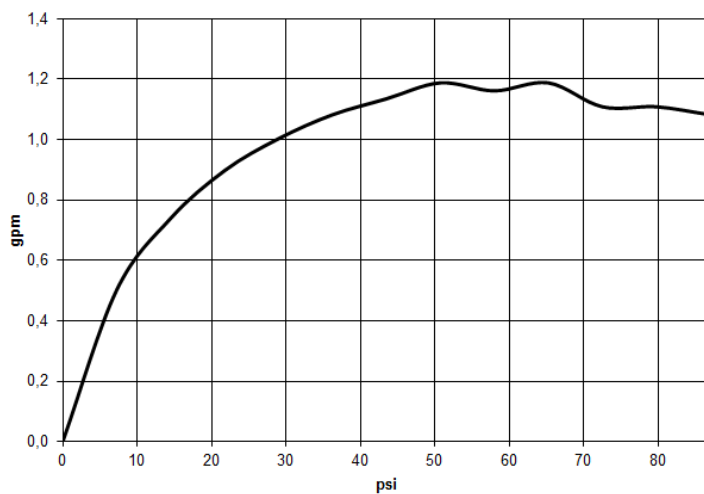
Sink - CYO
Single-lever lavatory mixer without drain - Chrome
Article number: 33 525 811-00 0010

Dimensional drawing



All dimensions in mm / inch = mm x 0,0394

Flow rate chart





Sink - CYO
Single-lever lavatory mixer without drain - Chrome
Article number: 33 525 811-00 0010

Other surface finishes



Brushed Platinum
33 525 811-06 0010



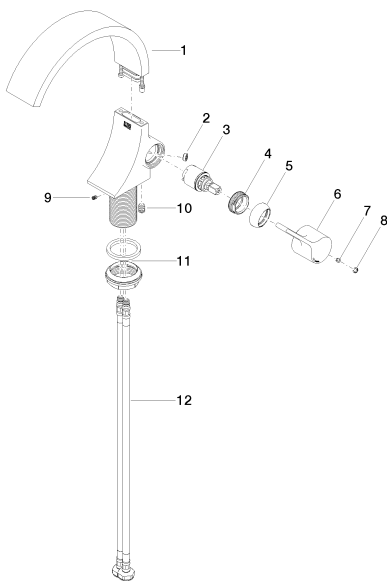
Brushed brass (23kt gold)
33 525 811-28 0010



Brushed Dark Platinum
33 525 811-99 0010

More custom finish options are available via special production (xTra Service). See our finish matrix for availability and pricing or contact a Dornbracht representative. Some series may be excluded and some finishes may not be available in all series.

Spare parts list



Number	Item Number	Designation	Number of units
1	90 11 70 013 01-00	spout	1
2	09 23 01 172 90	flow reducer	1
3	90 15 05 044 00 90	cartridge	1
4	09 24 04 266 90	nut	1
5	09 28 30 021-00	cover	1
6	09 20 80 024-00	handle	1
7	09 31 11 030 90	pin	1
8	90 31 20 087 00-00	plug	1
9	04 23 10 044 07 90	fixing set	1
10	04 30 04 102 00 90	Flexible supply line 3/8"	2