



Sink - META

Single-lever lavatory mixer without drain - Brushed Chrome

Article number: 33 526 660-93 0010

Date of manufacture from 1/23/2020



- 4-7/8" Projection
- Rigid spout
- Round aerated stream
- Total height 5-1/4"
- Height to aerator/spout outlet 2"
- 1-3/8" hole diameter
- 2 x pressure hose with 3/8" compression fitting
- Water flow rate limited to max. 1.2 gpm
- lead-free

Codes & Standards

- NSF/ANSI 372
- California Energy Commission (CEC)
- ASME A112.18.1/CSA B125.1
- NSF/ANSI/CAN 61
- ADA

- (ADA)



Brushed Chrome



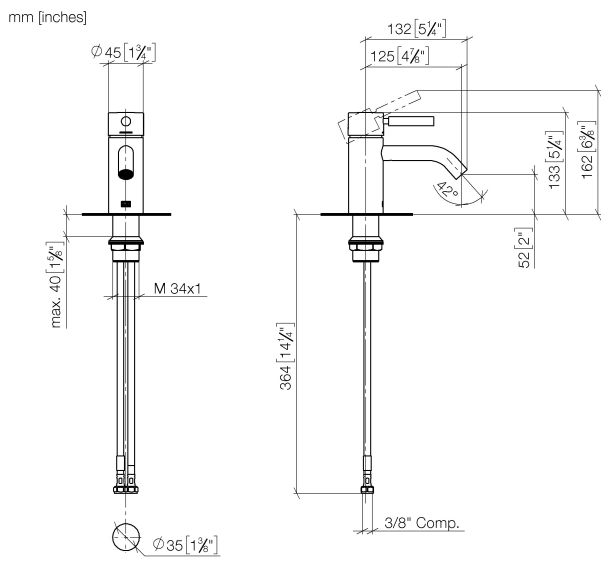
Sink - META

Single-lever lavatory mixer without drain - Brushed Chrome

Article number: 33 526 660-93 0010

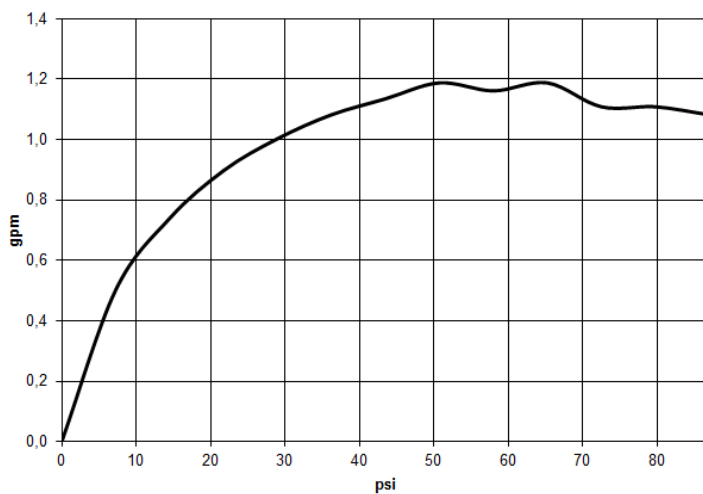
Date of manufacture from 1/23/2020

Dimensional drawing



All dimensions in mm / inch = mm x 0,0394

Flow rate chart





Sink - META

Single-lever lavatory mixer without drain - Brushed Chrome

Article number: 33 526 660-93 0010

Date of manufacture from 1/23/2020

Other surface finishes



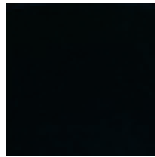
Chrome

33 526 660-00 0010



Brushed Platinum

33 526 660-06 0010

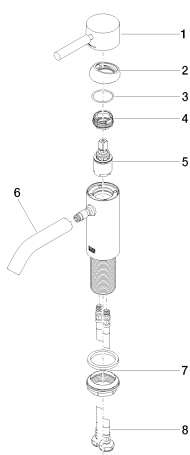


Black matte

33 526 660-33 0010

More custom finish options are available via special production (xTra Service). See our finish matrix for availability and pricing or contact a Dornbracht representative. Some series may be excluded and some finishes may not be available in all series.

Spare parts list



Number	Item Number	Designation	Number of units
1	90 20 66 002 00-93	handle	1
2	09 28 30 041-93	cover	1
3	09 14 10 091 90	seal	1
4	09 24 04 266 90	nut	1
5	90 15 05 044 00 90	cartridge	1
6	90 11 06 206 01-93	spout	1
7	04 23 10 044 07 90	fixing set	1
8	04 30 04 102 00 90	Flexible supply line 3/8"	2