



Kitchen - Tara.

Three-hole mixer - polished chrome

Article number: 20 815 892-00 0010

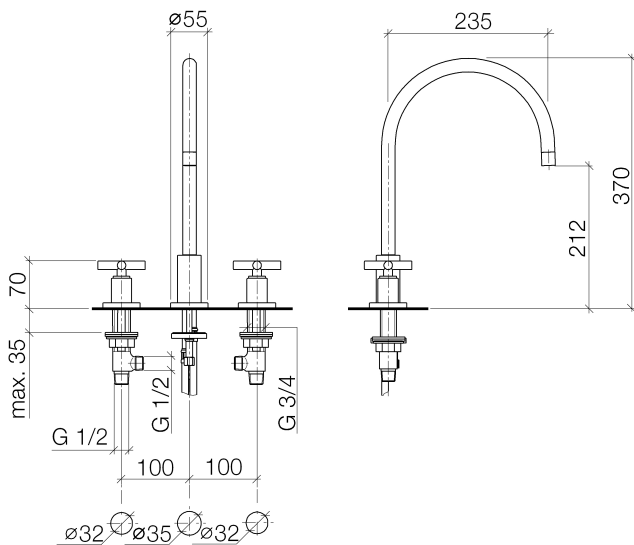


- 9-1/4" Projection
- Swiveling spout 360°
- Areated stream
- Total height 14-5/8"
- Height to aerator/spout outlet 8-3/8"
- Spout hole diameter 1-3/8"
- Valve hole diameter 1-1/4"
- Water flow rate limited to max. 1.5 gpm
- lead-free
- (ADA)



polished chrome

Dimensional drawing

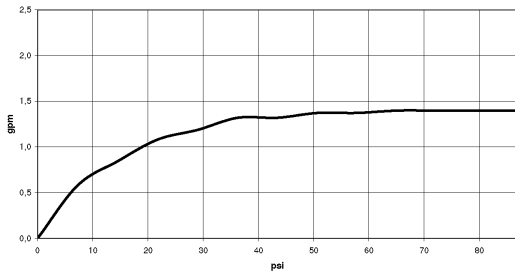


All dimensions in mm / inch = mm x 0,0394



Kitchen - Tara.
Three-hole mixer - polished chrome
Article number: 20 815 892-00 0010

Flow rate chart





Kitchen - Tara.

Three-hole mixer - polished chrome

Article number: 20 815 892-00 0010

Other surface finishes



platinum matte

20 815 892-06 0010



platinum

20 815 892-08 0010



Brushed Durabrass

20 815 892-28 0010

More custom finish options are available via special production (xTra Service). Please see our finish matrix for availability and pricing or contact a Dornbracht representative.

Recommended article



10 713 970-00

AIR SWITCH operating button, trim parts only - polished chrome



82 434 970-00

Soap dispenser with flange - polished chrome

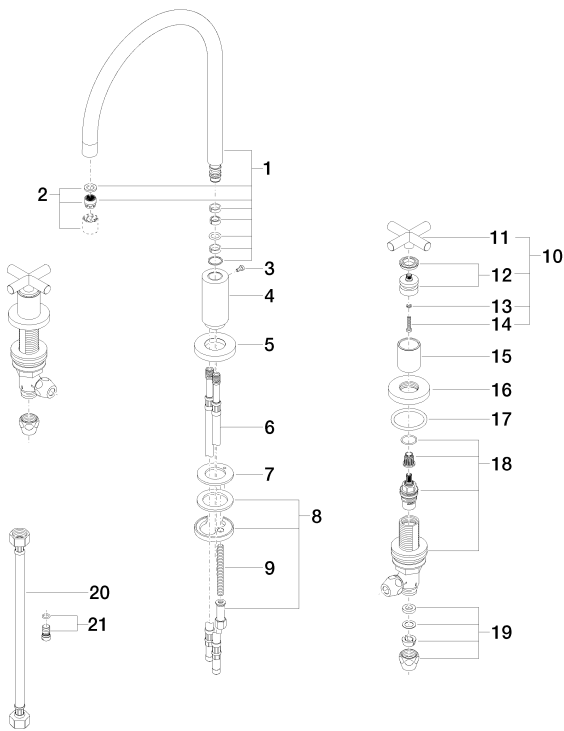


Kitchen - Tara.

Three-hole mixer - polished chrome

Article number: 20 815 892-00 0010

Spare parts list



Number	Item Number	Designation	Number of units
1	90 28 22 226 02-00	spout	1
2	90 23 01 028 00-00	aerator	1
3	09 30 30 057 90	screw	1
4	09 11 10 088 10-00	connection	1
5	09 28 10 140-00	ring	1
6	04 30 04 064 00 90	hose	2
7	09 14 05 047 90	seal	1
8	04 30 11 038 00 90	fixing set	1
9	09 31 11 011 90	pin	1
10	04 20 89 010 00-00	handle	2
11	09 20 89 010-00	handle	2
12	90 12 12 007 00-00	base	2
13	09 30 11 029 90	disc	2
14	09 30 30 075 90	screw	2
15	09 21 02 140-00	sleeve	2
16	09 27 89 105-00	rosette	2
17	09 14 10 043 90	seal	2
18	90 17 11 040 51 90	side panel	2
19	04 23 30 040 00-00	threaded connector	2
20	12 501 970 90	Flexible supply line 1/2" x 1/2" x 11-3/4" -	2
21	04 31 20 046 10 92	set	1