



Bathtub - Meta

Hand shower set - polished chrome

Article number: 27 806 625-00 0010

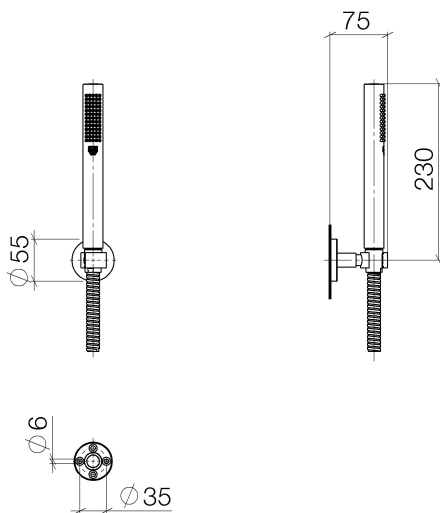


- Standard spray mode
- Descaling system
- Flange diameter 2-1/8"
- Metal shower hose 49-1/4" with anti-twist device
- Showerhead holder flange Ø 2-1/8"
- Water flow rate limited to max. 1.8 gpm
- Internal backflow preventer.



polished chrome

Dimensional drawing

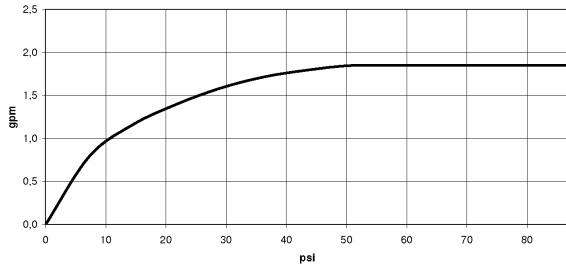


All dimensions in mm / inch = mm x 0,0394



Bathtub - Meta
Hand shower set - polished chrome
Article number: 27 806 625-00 0010

Flow rate chart





Bathtub - Meta

Hand shower set - polished chrome

Article number: 27 806 625-00 0010

Other surface finishes



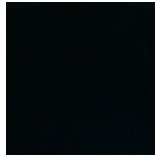
platinum matte

27 806 625-06 0010



Brushed Durabronze

27 806 625-28 0010



black matte

27 806 625-33 0010

More custom finish options are available via special production (xTra Service). Please see our finish matrix for availability and pricing or contact a Dornbracht representative.

Recommended article



35 080 970-90 0010

Rough-in adapter -



28 450 625-00

Wall elbow - polished chrome

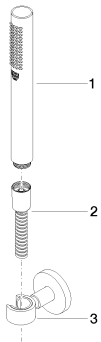


Bathtub - Meta

Hand shower set - polished chrome

Article number: 27 806 625-00 0010

Spare parts list



Number	Item Number	Designation	Number of units
1	28 013 979-00 0010	Baton hand shower - polished chrome	1
2	09 30 02 072-00	Metal shower hose 1/2" x 3/8" x 49-1/4" - polished chrome	1
3	28 050 625-00	Wall bracket - polished chrome	1