

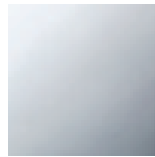


WC - Madison

Tissue holder without cover - polished chrome

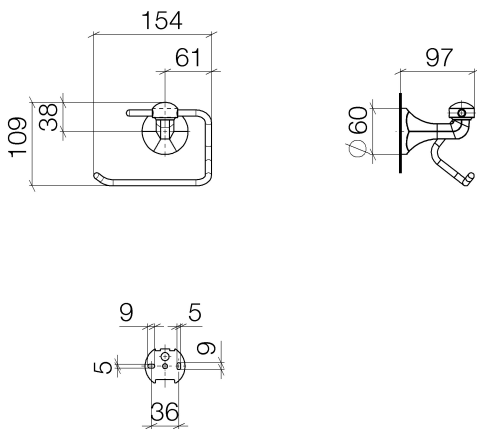
Article number: 83 500 361-00

- Width 5-3/4"
- Height 4-3/4"
- 3-3/4" Projection



polished chrome

### Dimensional drawing



All dimensions in mm / inch = mm x 0,0394



WC - Madison

Tissue holder without cover - polished chrome

Article number: 83 500 361-00



WC - Madison

Tissue holder without cover - polished chrome

Article number: 83 500 361-00

### Other surface finishes



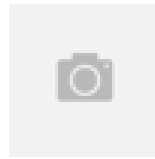
platinum matte  
83 500 361-06



platinum  
83 500 361-08



Durabrass  
83 500 361-09



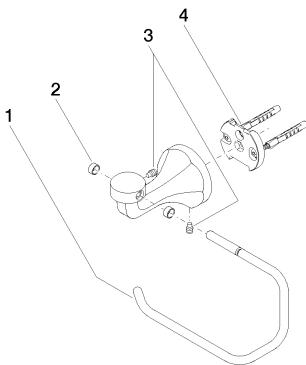
Brushed Durabrass  
83 500 361-28



Dark Platinum matte  
83 500 361-99

More custom finish options are available via special production (xTra Service). Please see our finish matrix for availability and pricing or contact a Dornbracht representative.

### Spare parts list



Number	Item Number	Designation	Number of units
1	08 18 70 501-00	bow	1
2	08 18 40 505 90	sleeve	2
3	04 31 11 140 00 90	pin	2
4	05 17 97 507 00 90	fixing set	1