

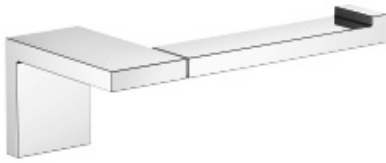


WC - Deque

Tissue holder without cover - polished chrome

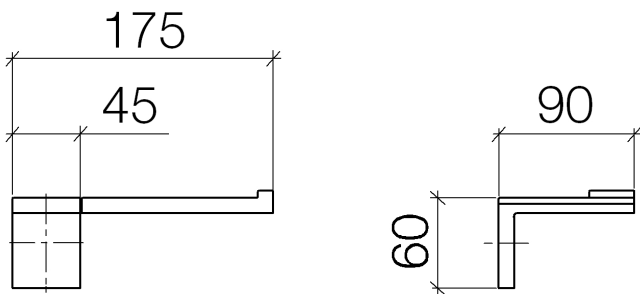
Article number: 83 500 980-00

- Width 6-7/8"
- Height 2-3/8"
- 3-1/2" Projection



polished chrome

Dimensional drawing



All dimensions in mm / inch = mm x 0,0394



WC - Deque

Tissue holder without cover - polished chrome

Article number: 83 500 980-00



WC - Deque

Tissue holder without cover - polished chrome

Article number: 83 500 980-00

Other surface finishes



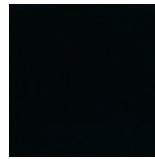
platinum matte
83 500 980-06



platinum
83 500 980-08



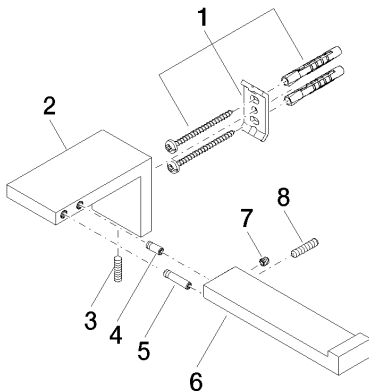
Brushed Durabronz
83 500 980-28



black matte
83 500 980-33

More custom finish options are available via special production (xTra Service). Please see our finish matrix for availability and pricing or contact a Dornbracht representative.

Spare parts list



Number	Item Number	Designation	Number of units
1	05 17 20 736 00 90	fixing set	1
2	08 17 98 500-00	holder	1
3	04 31 11 113 00 90	pin	1
4	09 31 11 204 90	pin	1
5	09 31 11 203 90	pin	1
6	08 17 98 554-00	holder	1
7	09 31 11 030 90	pin	1
8	09 31 11 059 90	pin	1