

SPECIFICATIONS

Features/Benefits

- 1.5 gpm (5.7 L/min) Max Flow @ 80 psi
- 2 Functions: Spray and Massage
- Ball Joint Allows for Directional Adjustments
- Easy Clean Nozzles

Available Color/Finishes

Color	Description
	Chrome

Please see gerberonline.com or current price list for available finishes. Finish is defined by additional suffix.

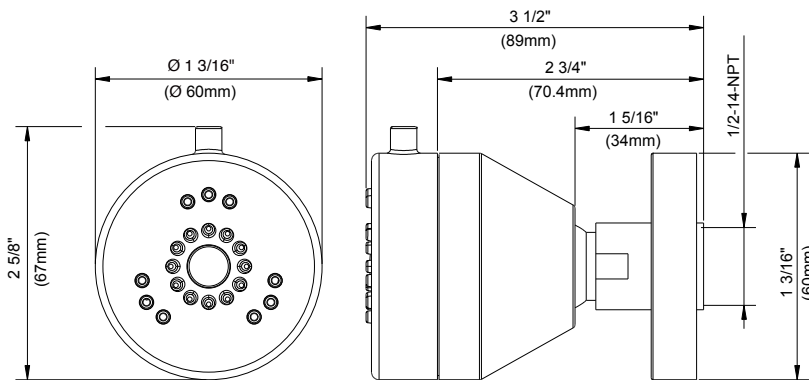
Standards & Certifications



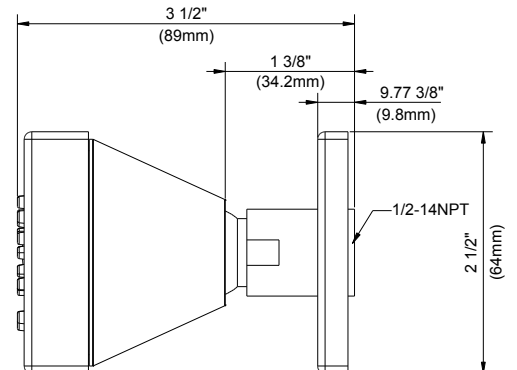
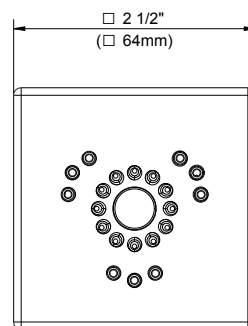
D460258



D460244



D460258



D460244

Submittal Information:

Name: _____
Location: _____

Contractor: _____
Contact #: _____